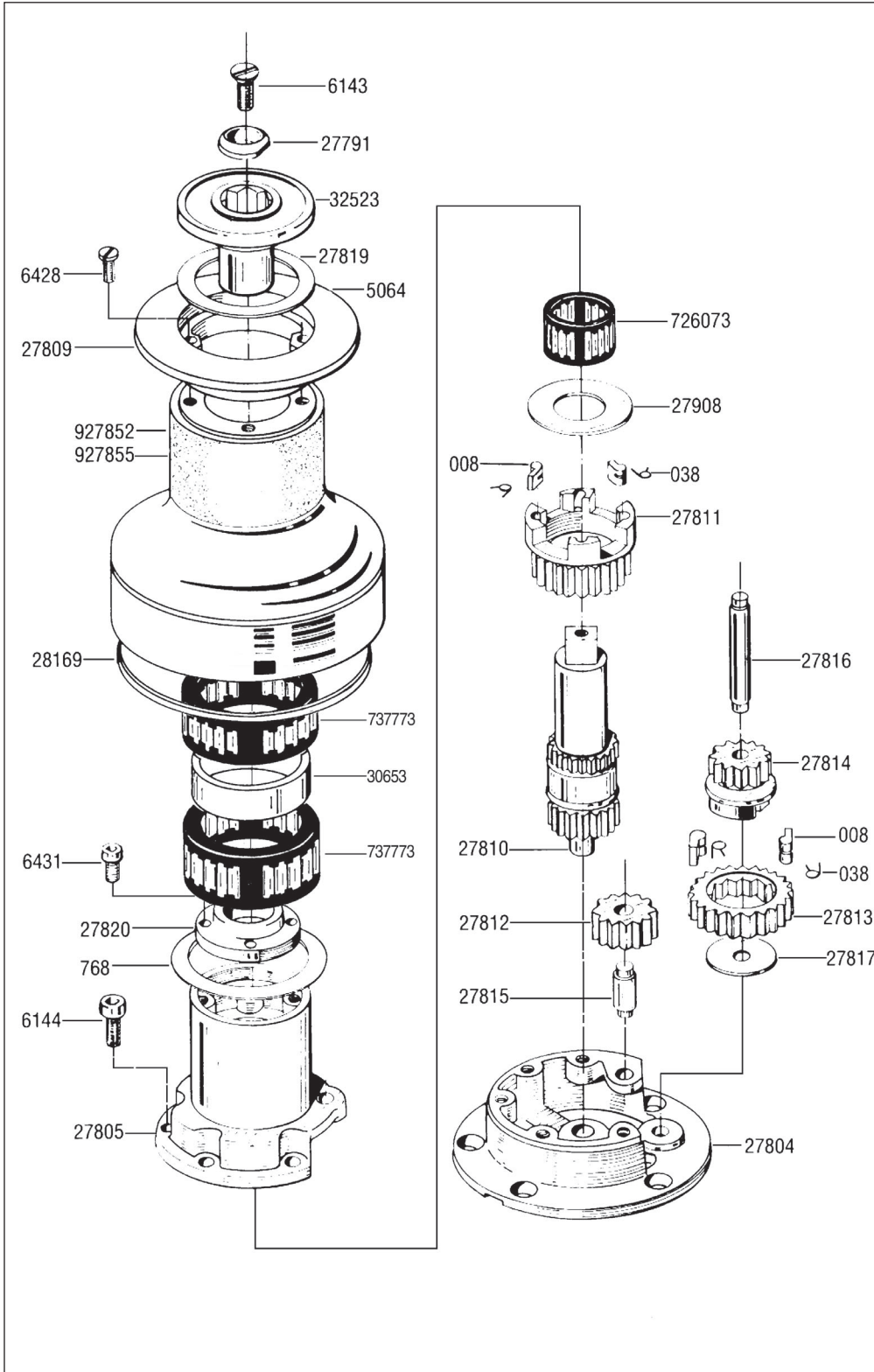


42.2

Two Speed Winch

Winch Parts Installation Service

HARKEN®



Required Tools

Allen Wrench (6 mm)
Screwdriver
Plastic Head Hammer or Mallet
Small Knife
Brush
Rags
Solvent
Oil
Grease

Parts List

008	Pawl
038	Pawl Spring
768	Thrust Washer
5064	Plastic Washer
6143	Top Screw
6144	Screw
6428	Screw
6431	Screw
27791	Plastic Washer
27804	Base
27805	Center Stem
27809	Drum Crown
27810	Spindle
27811	Pawl Gear
27812	Gear
27813	Ratchet Gear
27814	Pawl Gear
27815	Gear Shaft
27816	Gear Shaft
27817	Cover Plate
27819	Handle Socket
27820	Stem Cap
27908	Washer
28169	Red Line Ring
30653	Bearing Spacer
32523	Top Cap
726073	Bearing
737773	Bearing
927852	Aluminum Drum
927855	Chrome Drum
933348	Bronze Drum

Suggested Service Kits

BK4512	10	008 Pawls
	10	038 Springs
BK4513	100 ml	Grease

When ordering parts, please include a "B" before each number (i.e. B008).

Service winch before the sailing season begins and once during.

■ **Installing Winch**

- Make sure mounting surface is flat
- Check sheet entry angle. Should be at least 8° (see drawing)
- Open winch
- Position winch on deck with drive gear where sheet enters winch drum and mark holes
- Remove winch and drill holes
- Mount using five (5) 5/16" (8 mm) flathead machine screws
- Apply bedding compound and bolt winch to boat
- Clean excess bedding compound from base drain holes
- Lubricate and close winch

■ **Opening Winch**

- Remove top screw
- Lift off drum

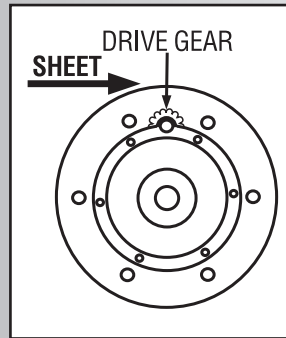
■ **Servicing Winch**

- Remove bearings from center stem
- Remove allen screws holding center stem to base
- Remove center stem carefully
- Remove pawls and springs – service as below
- Remove all bearings, gear shafts and gears
- Clean all parts with rags and solvent
- Use a brush to lubricate all gears, gear shafts, bearings, teeth and all moving parts lightly with grease
- Replace pawls and springs and lubricate lightly with oil
- Reassemble and close winch

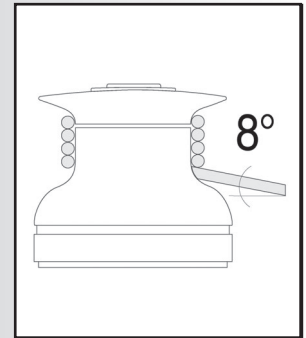
■ **Servicing Pawls**

- Catch spring with knife and hold against pawl
- Lift out pawls
- Clean and check for wear
- Lubricate pawls using oil
- Place spring against pawl with straight leg against pawl
- Hold spring closed and slip pawl into pawl socket

Mounting

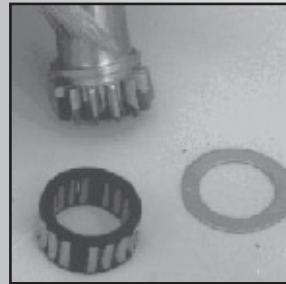


Position drive gear where sheet enters winch drum.

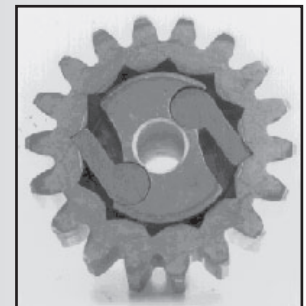


Sheet entry angle must be at least 8°.

Servicing Winch



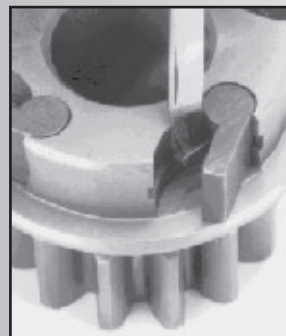
Clean all parts with solvent.



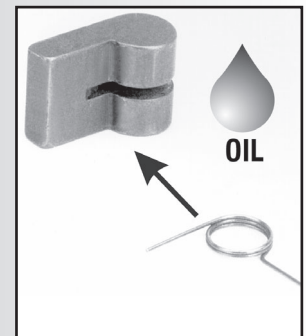
Use a brush to spread a light, even coat of grease.

If ratchet gear is mounted backwards, winch will slip.

Servicing Pawls



Use knife to free captive spring.



Insert spring with straight leg against pawl. Use oil for lubrication.

HARKEN

USA: 1251 E. Wisconsin Ave., Pewaukee, WI 53072 USA • Tel: (262) 691-3320 • Fax: (262) 691-3008 • Web: harken.com • E-mail: harken@harken.com
 ITALY: Via Della Cerca, 12/14, 22070 Lurago Marinone, Como, Italy • Fax: (39) 031.3520031 • Tel: (39) 031.3523511 • Web: harken.it • E-mail: info@harken.it

4577/04-05

