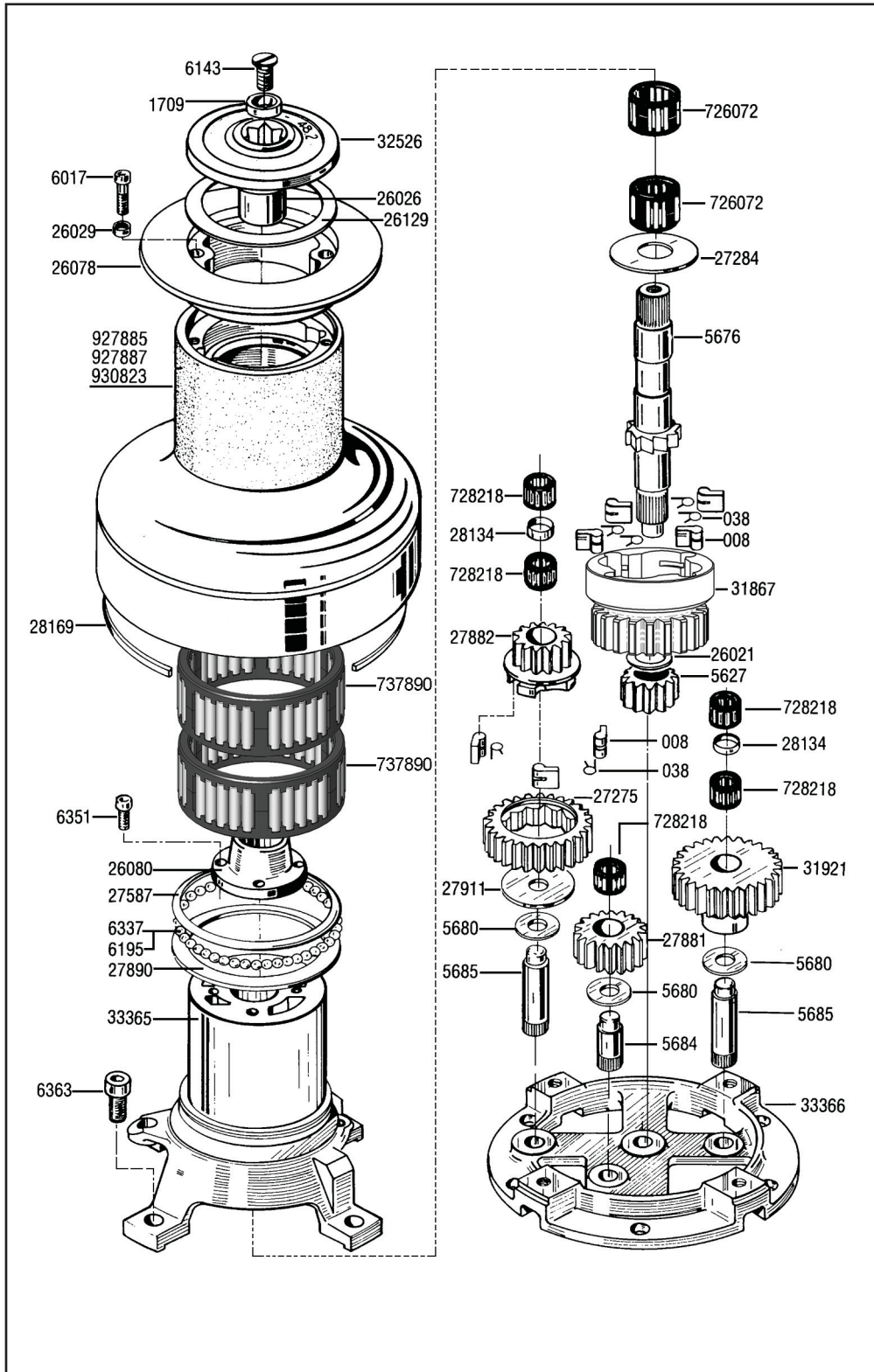


# 48.2

## Two Speed Winch

# HARKEN®

## Winch Parts Installation Service



### Required Tools

- Screwdriver
- Allen Wrench (6 mm)
- Allen Wrench (5 mm for Self Tailing)
- Plastic Head Hammer or Mallet
- Small Knife
- Brush
- Rags
- Solvent
- Oil
- Grease

### Parts List

008	Pawl
038	Pawl Spring
1709	Gear
5627	Gear
5676	Spindle
5680	Washer
5684	Gear Shaft
5685	Gear Shaft
6017	Screw
6143	Top Screw
6195	Delrin Ball
6337	Stainless Steel Ball
6351	Screw
6363	Screw
26021	Washer
26026	Handle Socket
26029	Plastic Washer
26078	Drum Crown
26080	Stem Cap
26129	Plastic Washer
27275	Ratchet Gear
27284	Washer
27587	Thrust Bearing
27881	Gear
27882	Pawl Gear
27890	Thrust Washer
27911	Cover Plate
28134	Bearing Spacer
28169	Red Line Ring
31867	Pawl Gear
31921	Gear
32526	Top Cap
33365	Center Stem
33366	Base
737890	Bearing
726072	Bearing
728218	Bearing
927885	Aluminum Drum
927887	Chrome Drum
930823	Bronze Drum

### Suggested Service Kits

BK4512	10	008 Pawls
	10	038 Springs
BK4513	100 ml	Grease

When ordering parts, please include a "B" before each number (i.e. B008).

## Service winch before the sailing season begins and once during.

### ■ Installing Winch

- Make sure mounting surface is flat.
- Check sheet entry angle. Should be at least 8° (see drawing).
- Open winch.
- Position winch on deck with drive gear where sheet enters winch drum. Mark holes.
- Remove winch and drill holes.
- Mount using five (5) 1/4" (6 mm) flathead machine screws.
- Apply bedding compound. Bolt winch to boat.
- Clean excess bedding compound from base drain holes.
- Lubricate and close winch.

### ■ Minimum/Maximum Line Diameter

- Harken winches feature spring-loaded self-tailing jaws which adjust automatically to the following line sizes:
- Minimum 5/16" (8 mm)
- Maximum 1/2" (12 mm)

### ■ Positioning Stripper Arm

- Loosen top screw.
- Remove handle socket.
- Lift stripper arm and position as desired.

### ■ Opening Winch

- Remove top screw.
- Lift off drum and stripper arm.

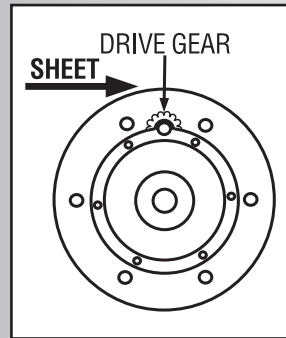
### ■ Servicing Winch

- Remove pawls and springs - service as below.
- Remove bearing, gear shaft and gears.
- To reach interior shaft bearing, winch must be removed from deck.
- Clean all parts except 37335, 37336 and 37337 with rag and solvent.
- Important: Use freshwater only on parts 37335, 37336 and 37337.
- Use brush to lubricate all moving parts lightly with grease.
- Replace pawls and springs and lubricate lightly with oil.
- Assemble and close winch.

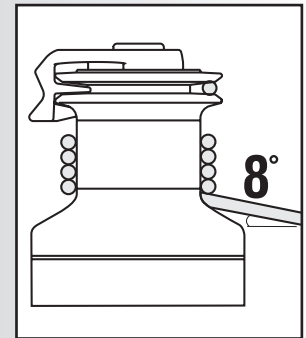
### ■ Servicing Pawls

- Catch spring with knife and hold against pawl.
- Lift out pawl.
- Clean and check for wear.
- Place spring against pawl with straight leg against pawl.
- Hold spring closed and slip pawl into pawl socket.
- Lubricate pawls using oil.

### Mounting

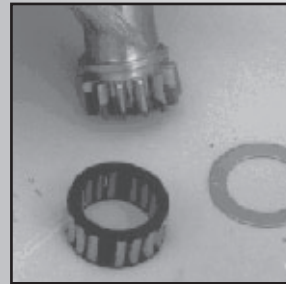


Position drive gear where sheet enters winch drum.

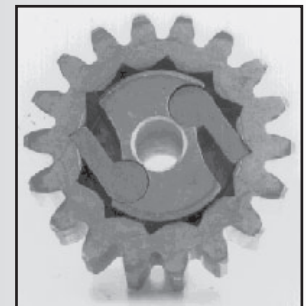


Sheet entry angle must be at least 8°.

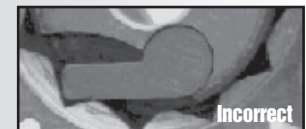
### Servicing Winch



Clean all parts, except 37335, 37336, and 37337, with solvent.

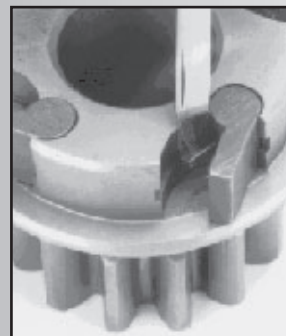


Use a brush to spread a light, even coat of grease.

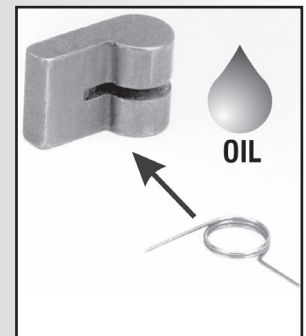


If ratchet gear is mounted backwards, winch will slip.

### Servicing Pawls



Use knife to free captive spring.



Insert spring with straight leg against pawl. Use oil for lubrication.

# HARKEN

USA: 1251 E. Wisconsin Ave., Pewaukee, WI 53072 USA • Tel: (262) 691-3320 • Fax: (262) 691-3008 • Web: harken.com • E-mail: harken@harken.com  
ITALY: Via Della Cerca, 12/14, 22070 Lurago Marinone, Como, Italy • Fax: (39) 031.3520031 • Tel: (39) 031.3523511 • Web: harken.it • E-mail: info@harken.it

04-05

