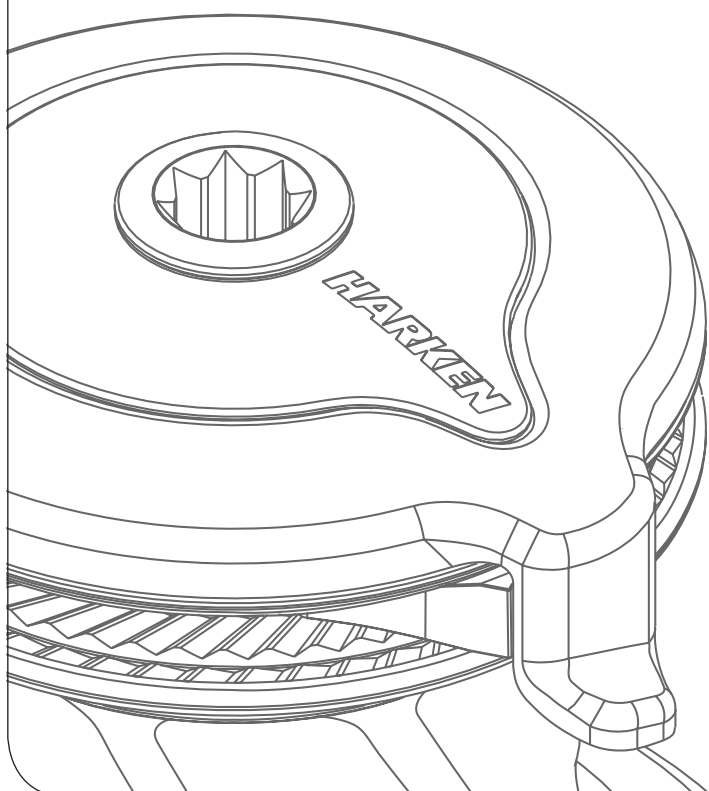


# Installation and Maintenance Manual

MRW-03

## Radial Winch 20 ST



**HARKEN**<sup>®</sup>

<b>Introduction</b> .....	<b>3</b>
<b>Technical characteristics</b> .....	<b>3</b>
<i>Weights</i>	3
<i>Maximum working load</i>	3
<b>Outline</b> .....	<b>3</b>
<b>Installation</b> .....	<b>4</b>
<i>Procedure 1</i>	5
<i>Procedure 2</i>	6
<i>Installation procedure</i>	8
<i>Positioning the self-tailing arm</i>	9
<b>Maintenance</b> .....	<b>9</b>
<i>Washing</i>	9
<i>Maintenance table</i>	9
<i>Disassembly procedure</i>	9
<i>Exploded view with maintenance products</i>	12
<i>Assembly</i>	13
<b>Harken® limited worldwide warranty</b> .....	<b>14</b>
<b>Ordering spare parts</b> .....	<b>14</b>
<b>Exploded view</b> .....	<b>15</b>
<b>Parts List</b> .....	<b>19</b>
<i>Radial Winch 20 STA</i>	19
<i>Radial Winch 20 STC</i>	20
<i>Radial Winch 20 STCW</i>	21
<i>Radial Winch 20 STBBB</i>	22
<i>Radial Winch 20 STCCC</i>	23

## Introduction

This manual gives technical information on winch installation and maintenance, including disassembling and reassembling.

This information is DESTINED EXCLUSIVELY for specialised personnel or expert users. Installation, disassembling and reassembling of the winch by personnel who are not experts may cause serious damage to users and those in the vicinity of the winch.

Harken® accepts no responsibility for defective installation or reassembly of its winches.

In case of doubt the Harken® Tech Service is at your disposal at [techservice@harken.it](mailto:techservice@harken.it)

This Manual is available only in English. If you do not fully understand the English language, do not carry out the operations described in this Manual.

## Technical characteristics

	Power ratio	Gear ratio
1st speed	19,20 : 1	2,76 : 1

*The theoretical power ratio does not take friction into account.*

## Weights

	ST A version	ST C/CW versions	ST BBB/CCC versions
Weight (Kg)	2,4	3,4	3,9

*Versions: A = drum in anodised aluminium; C = drum in chrome bronze; CW = chrome/white; BBB = all bronze; CCC = All-Chrome bronze*

## Maximum working load

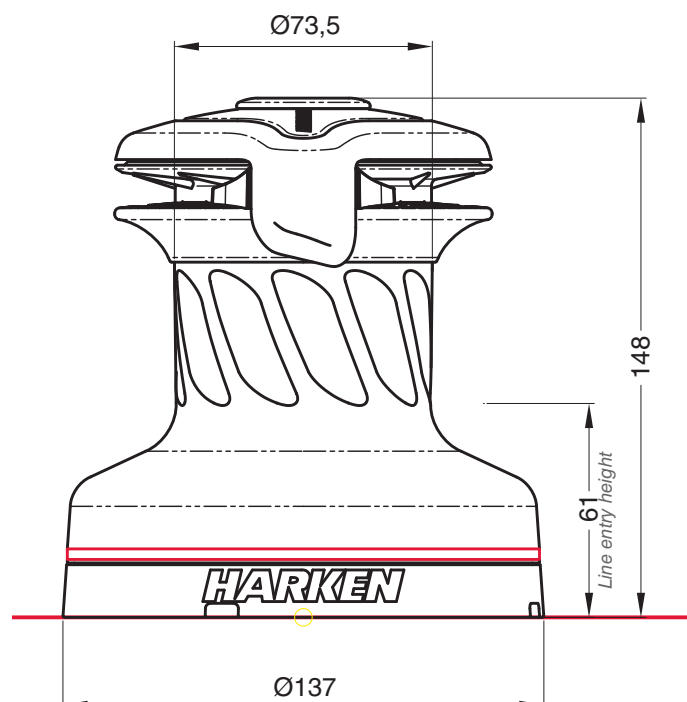


### WARNING!

The maximum working load (MWL) for the 20 ST Radial Winch is 550 Kg (1213 lb)

Subjecting the winch to loads above the maximum working load can cause the winch to fail or pull off the deck suddenly and unexpectedly during high loads causing severe injury or death.

## Outline



## Installation

The winch must be installed on a flat area of the deck, reinforced if necessary to bear a load equal to at least twice the maximum working load of the winch.

It is the installer's responsibility to carry out all structural tests needed to ensure that the deck can bear the load.

Harken® does not supply the screws needed to install the winch since these may vary depending on the deck on which it is to be installed.

It is the installer's responsibility to choose the correct screws taking account of the loads they will have to bear.

Harken® assumes no responsibility for incorrect installation of its winches or for an incorrect choice of mounting screws.



### DANGER!

Incorrect installation of the winch may cause severe injury or death. Consult the yard that built the boat in the case of doubt over the correct positioning of the winch.



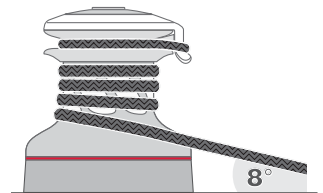
### WARNING!

Failure to use the correct number and type of mounting fasteners or failure to ensure the correct deck strength can result in the winch pulling off the deck suddenly and unexpectedly during high loads causing severe injury or death.



### WARNING!

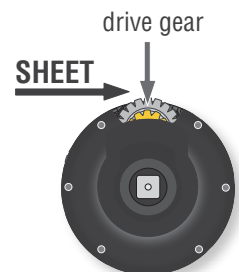
Verify the entry angle of the sheet. This must be  $8^\circ$  with tolerance of  $\pm 2^\circ$ , to avoid sheet overrides and damaging the winch or making the winch inoperable leading to loss of control of the boat which can lead to severe injury or death.



### WARNING!

Mount the winch on the deck so that the drive gear is positioned where the sheet enters the winch drum.

Incorrect position of drive gear can weaken winch leading to failure which can cause an accident leading to severe injury or death.



### NOTICE

For winch STA, STC and STCW versions only you can find the icon ▲ on the skirt to identify the drive gear position.



Once you have chosen the correct mounting position for the winch on the deck proceed with installation.


The winch can be installed following one of the two procedures below (**Procedure 1** or **Procedure 2**):

### Procedure 1

To install the winch you must remove the drum and use bolts as described ahead.

Tools needed  One medium flat-bladed screwdriver

To identify the various parts, refer to the exploded view at the end of this Manual.

 Torque to apply when assembling



1. Unscrew the central screw ( $\approx 2\text{Nm}/18\text{ in-lb}$ )



2. Slide off the assy socket n°20 and the cover n°19



3. Unscrew the three screws n°18  
( $\approx 4\text{Nm}/35\text{ in-lb}$ )



4. Remove the self-tailing arm n°17 by rotating and lifting it.



5. Lift off the drum n°13

Winch STA, STC and STCW versions:

Install the winch on the deck in the position you have chosen, keeping in mind the limits described on page 4 and using socket head (SH) bolts.

Winch STBBB and STCCC versions:

Install the winch on the deck in the position you have chosen, keeping in mind the limits described on page 4 and using socket head (SH) bolts or hexagonal headed bolts (HH).


Procedure 2 (not pertinent for ST BBB/CCC versions)

To install, you must remove the winch skirt and use hexagonal headed bolts.

Tools needed  One medium flat-bladed screwdriver

To identify the various parts, refer to the exploded view at the end of this Manual.



1. Remove the skirt n°2 with the help of the screwdriver placed as shown by the symbol 



2. Take off the skirt n°2



3. Position the 5 M6 hexagonal headed bolts in their holes



4. Reposition the skirt n°2 in its housing



5. Press down the skirt to position it correctly

**NOTICE**

Make sure the skirt is correctly clipped on to the base of the winch.

Install the winch on the deck in the position you have chosen, keeping in mind the limits described on page 4 and using hexagonal headed bolts (HH).  
(See paragraph on installation)

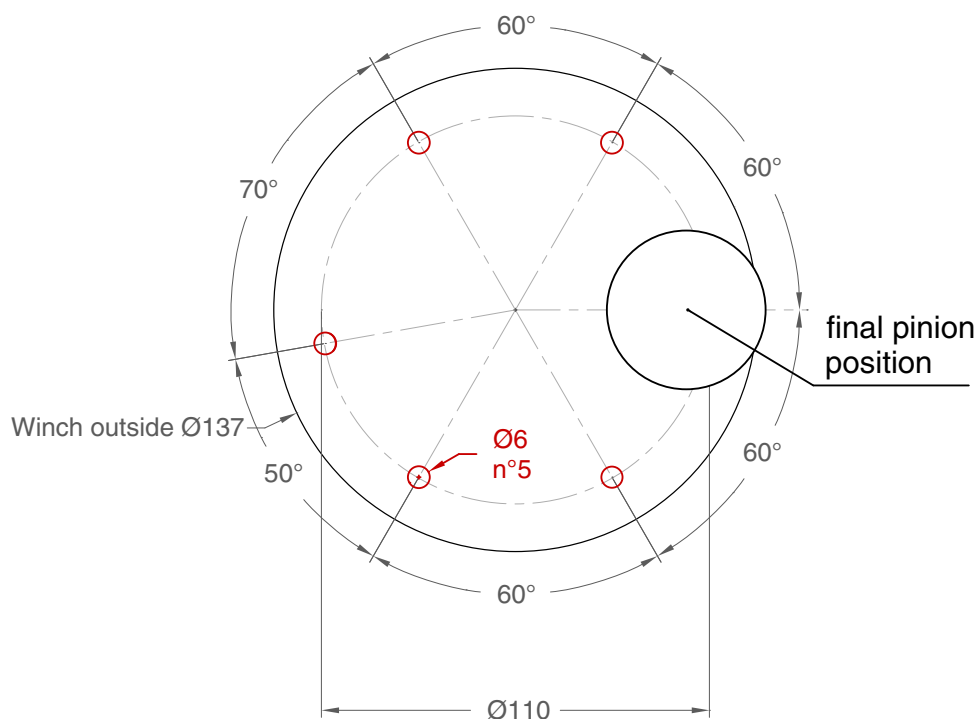
### Installation procedure

**Carry out Procedure 1 or Procedure 2, then install the winch on the deck in the chosen position.**

**A.** Position the base of the winch on the deck and mark the position of the holes or use the drilling cut-out template at the point where you have decided to place the winch.

Below is a reduced scale diagram.

The drilling cut out template is available on the Harken® website, [www.harken.com](http://www.harken.com)



**B.** Remove the winch and drill the five 6.2 mm diameter holes.

**C.** Bolt the base of the winch to the deck using five M6 bolts (not supplied by Harken®) as described at Procedure 1 or Procedure 2, correctly chosen for the thickness and type of the boat deck. Consult the yard that built the boat in case of doubt.



#### **WARNING!**

To install the winch on the deck, use only bolts in A4 stainless steel (DIN 267 part11). Bolts made of other materials may not have sufficient strength or may corrode which can result in winch pulling off deck suddenly and unexpectedly during high loads causing severe injury or death.

#### **NOTICE**

To mount winches on the deck, do not use countersunk bolts.

**D.** Fill the mounting holes with a suitable marine sealant.

**E.** Remove the excess adhesive/sealant from the holes and base drainage channels

**F.** Reassemble the winch following the steps in **Procedure 1** or **Procedure 2** in the reverse order, and apply the products indicated in the section on maintenance.



**NOTICE**

Before closing the winch, make sure the holes and drainage channels in the base of the winch are not obstructed.

Positioning the self-tailing arm

Position the self-tailing arm so that the line leaving the winch is led into the cockpit.

**Maintenance**Washing

Winches must be washed frequently with fresh water, and in any case after each use. Do not allow teak cleaning products or other cleaners containing caustic solutions to come into contact with winches and especially anodised, chrome plated or plastic parts. Do not use solvents, polishes or abrasive pastes on the logos or stickers on the winches. Do not use polishes or abrasive pastes on anodised, chrome plated or plastics surfaces. Make sure that the holes and drainage channels in the base of the winch are not obstructed so that water does not collect.

Maintenance table

Winches must be visually inspected at the beginning and end of every season of sailing or racing. In addition they must be completely overhauled, cleaned and lubricated at least every 12 months. After an inspection, replace worn or damaged components. Do not replace or modify any part of the winch with a part that is not original.



**WARNING!**

Periodic maintenance must be carried out regularly. Lack of adequate maintenance shortens the life of the winch, can cause serious injury and also invalidate the winch warranty. Installation and maintenance of winches must be carried out exclusively by specialized personnel.

In the case of doubt contact Harken® Tech Service at [techservice@harken.it](mailto:techservice@harken.it)

Disassembly procedure

## Tools needed

-  One medium flat-bladed screwdriver
-  A number five hex key
- Rags

To identify the various parts refer to the exploded view at the end of this Manual.

 Torque to be applied in assembly phase

Carry out **Procedure 1** as shown in the paragraph on winch installation and then do the following:



6. Completely unscrew the three screws n°18



7. Remove the self-tailing arm support n°12 and slide out the bushing



8. Slide out the central shaft n°7



9. Remove the pin n°6



10. Slide off gear n°3



11. Slide off gear n°11

If it is necessary to replace any **jaws** of the winch, proceed as follows:



I. Unscrew the 3 screws n°16  
( $\approx 4\text{Nm}/35\text{ in-lb}$ )



II. Remove the jaws n°15

If it is necessary to remove any pawls in the central shaft, proceed as follows:



Unscrew the screw n°10 and remove the washer n°9 ( $\approx 4\text{Nm}/35\text{ in-lb}$ )

Once the winch is completely disassembled, clean the parts: use a basin of diesel oil to soak metal components and rinse plastic parts in fresh water. Once you have done this, dry the parts with cloths that do not leave residue.

Inspect gears, bearings, pins and pawls for any signs of wear or corrosion.

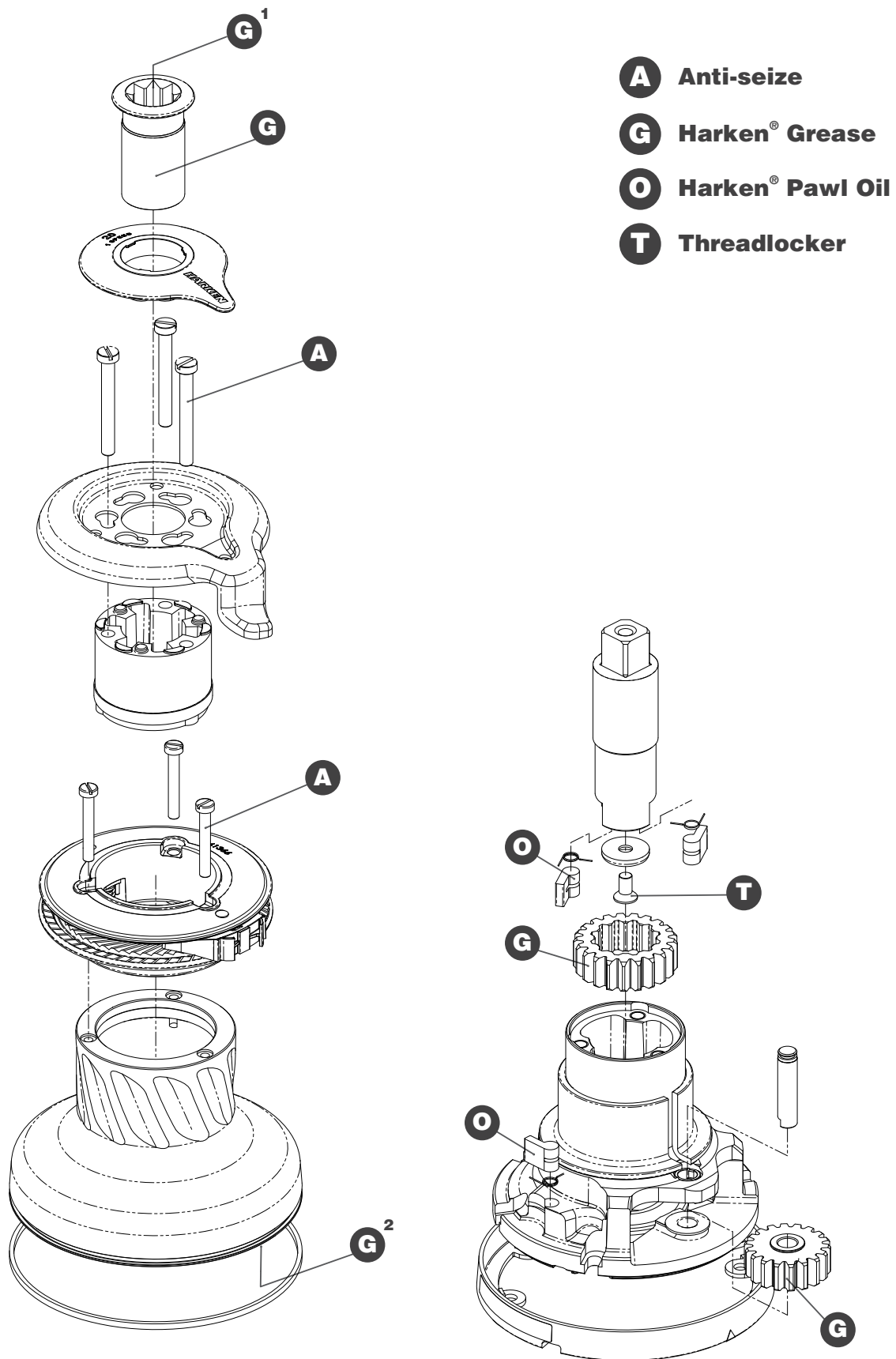
Carefully check the teeth of gears and ring gears to make sure there are no traces of wear.

Replace worn or damaged components.

Carry out maintenance on components using the products listed below.

For more information on which products to use where, refer to the exploded diagram below.

Use a brush to lightly lubricate all gears, gear pins, teeth and all moving parts with grease. Lightly lubricate the pawls and springs with oil. Do not use grease on the pawls!

Exploded view with maintenance products

1. Apply Harken® grease on assy socket screw - 2. Apply Harken® grease on drum gear

## Assembly

Make sure that the holes and drainage channels in the base of the winch are not obstructed  
Assemble the winch in the reverse order of the sequence in the section on disassembly.

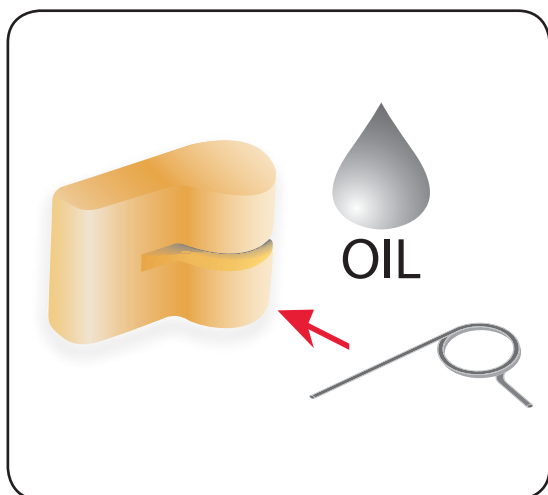
To tighten bolts, use the torque indicated in the disassembly procedure.



When positioning the stripper arm, align the peeler with it.



If the jaws have been disassembled, insert peeler between the two jaws, taking care that the letters TOP on the peeler are facing upwards.



### **To assemble the pawls**

Correctly position the spring in its housing as shown at left. Hold the spring closed and slide the pawl into its housing. Once in position, check that the pawls can be easily opened and closed with a finger.

In case of doubt concerning the assembly procedure contact Harken® Tech Service:  
[techservice@harken.it](mailto:techservice@harken.it)

### Harken® limited worldwide warranty

Refer to the Harken® Limited Worldwide Warranty in the Harken® Catalogue and on the website [www.harken.com](http://www.harken.com)

### Ordering spare parts

Spare parts can be requested from Harken® as described in the Harken® Limited Worldwide Warranty, indicating the part number in the Parts List and including the serial number of the winch for which the parts are required.

***The serial number of the winch is printed on a plate on the drum support of the winch.***



#### Manufacturer

##### ***Harken® Italy S.p.A.***

Via Marco Biagi, 14  
22070 Limido Comasco (CO) Italy  
Tel: (+39) 031.3523511  
Fax: (+39) 031.3520031  
Email: [info@harken.it](mailto:info@harken.it)  
Web: [www.harken.com](http://www.harken.com)

- **Tech Service**  
Email: [techservice@harken.it](mailto:techservice@harken.it)
- **Customer Service**  
Tel: (+39) 031.3523511  
Email: [info@harken.it](mailto:info@harken.it)

#### Headquarters

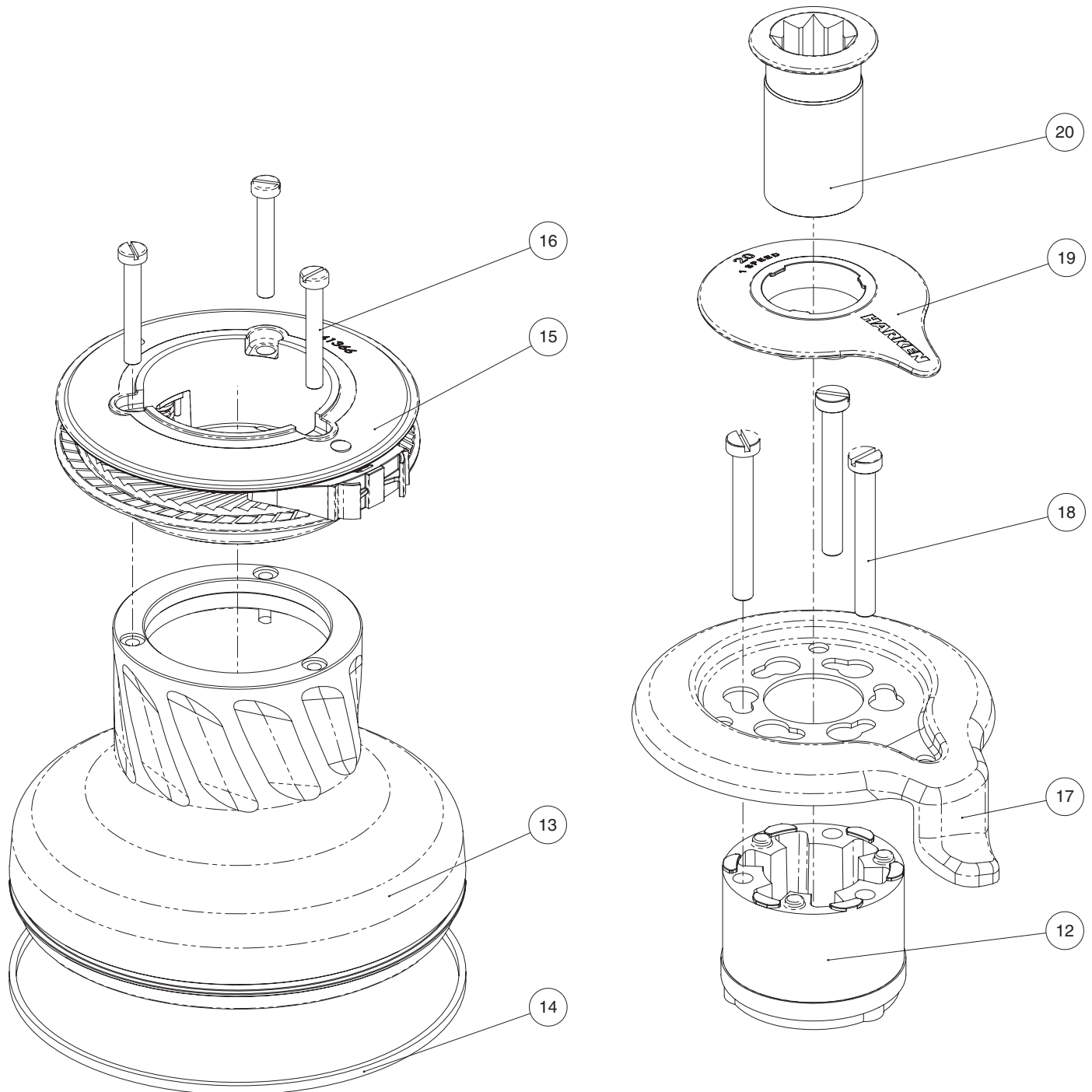
##### ***Harken®, Inc.***

1251 East Wisconsin Avenue  
Pewaukee, Wisconsin 53072-3755 USA  
Tel: (262) 691.3320  
Fax: (262) 691.3008  
Email: [harken@harken.com](mailto:harken@harken.com)  
Web: [www.harken.com](http://www.harken.com)

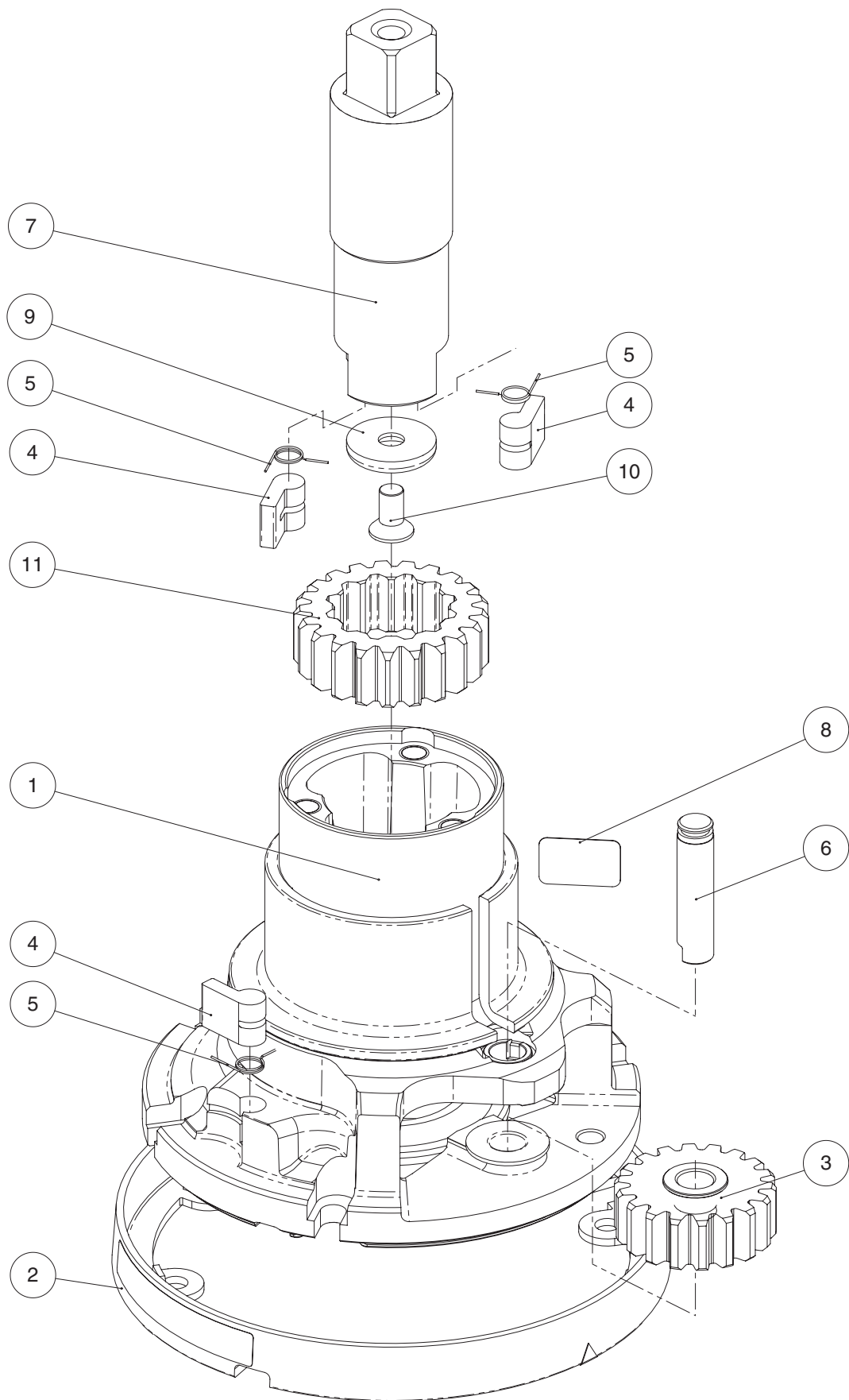
- **Tech Service**  
Email: [technicalservice@harken.com](mailto:technicalservice@harken.com)
- **Customer Service**  
Tel: (262) 691-3320  
Email: [customerservice@harken.com](mailto:customerservice@harken.com)

**Exploded view**

Radial Winch 20 STA, STC, STCW

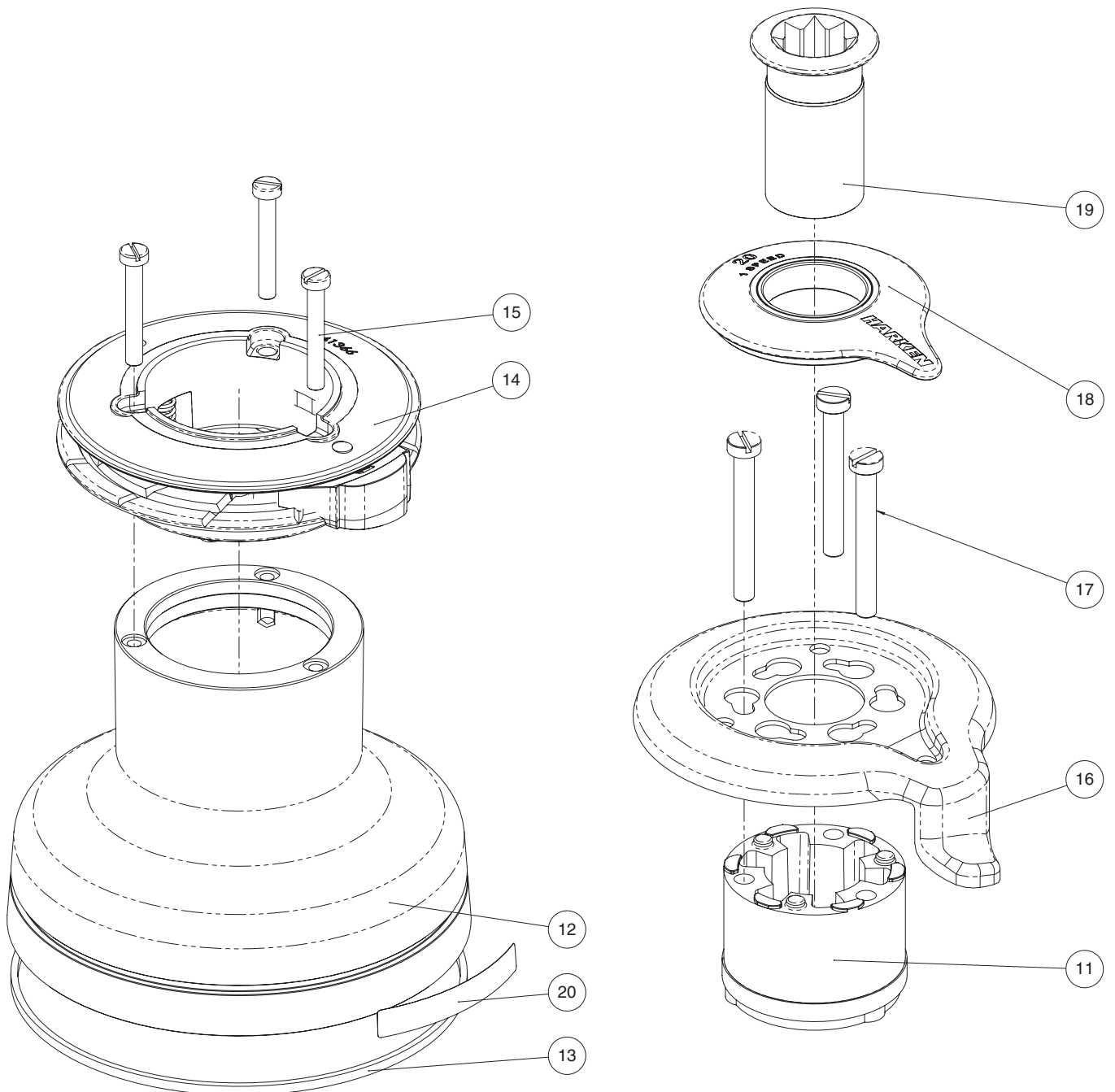


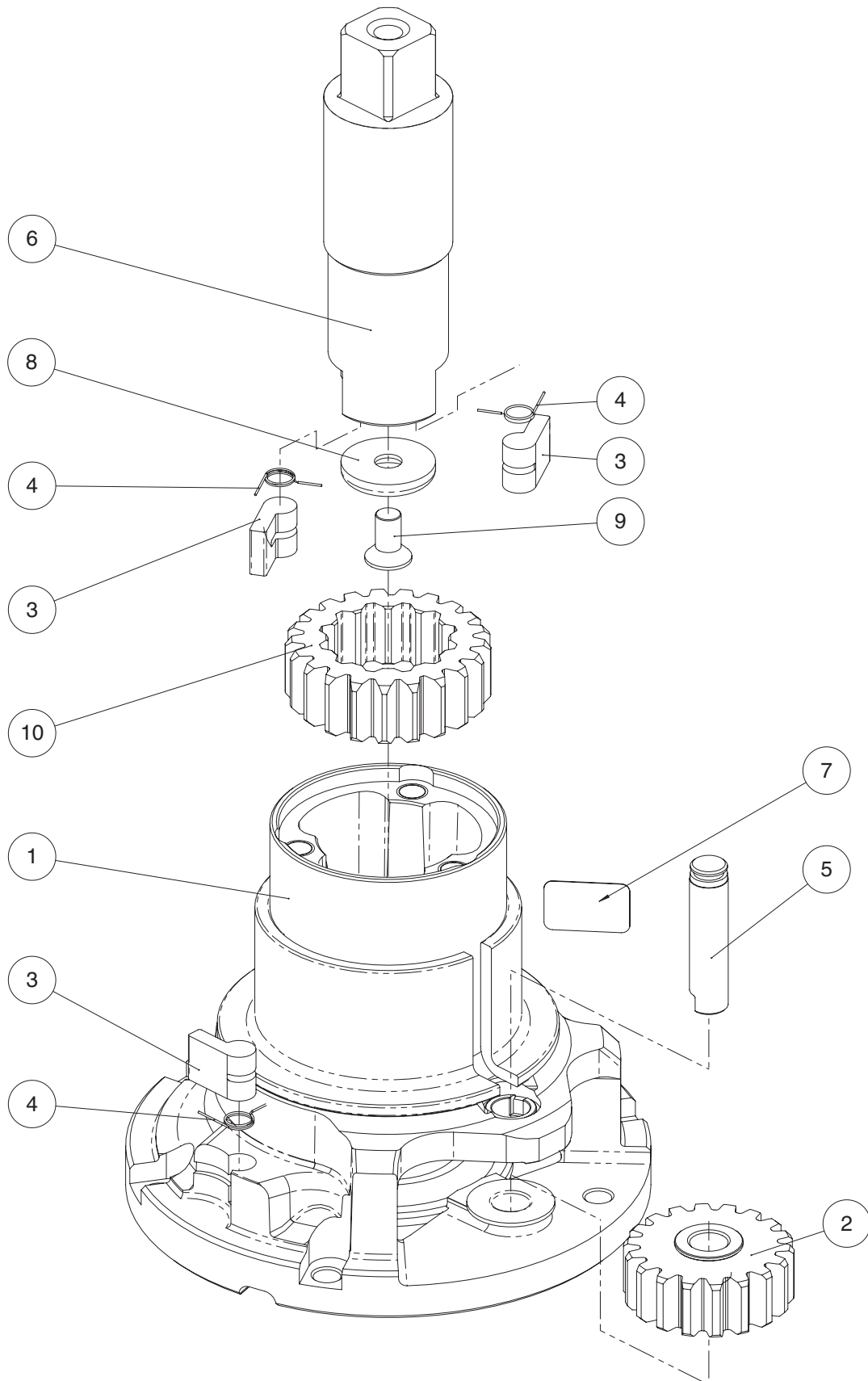


Radial Winch 20 STA, STC, STCW



Radial Winch 20 STBBB, STCCC



Radial Winch 20 STBBB, STCCC

**Parts List**

Radial Winch 20 STA

A = drum in anodised aluminium

Pos.	Q.ty	Code	Description
1	1	A94136900	Assy Housing Winch 20
			<i>Housing W20</i>
	1	S413740085	<i>Bushing Ø9xØ11x9</i>
	1	S413960085	<i>Bushing Ø9xØ11x12</i>
			<i>Heli-coil M6x9</i>
	1	S413720080	<i>Bushing Ø55xØ62x34</i>
	1	S4137300B2	<i>Washer Ø33.5xØ58x5.5</i>
			<i>Bushing Ø28xØ33x25</i>
2	1	A94138600	Assy Skirt Winch 20
			<i>Skirt W20</i>
			<i>Winch Product Sticker**</i>
3	1	A94136700	Assy Gear Z18
			<i>Gear Z18</i>
	2	S418730080	<i>Bushing Ø9xØ11x7</i>
4	4	S000080003	Pawl Ø8*
5	4	S000380001	Pawl Spring Ø8*
6	1	S413700004	Pin
7	1	S413630002	Shaft Winch 20
8			Winch Serial Number Sticker
9	1	S268890080	Washer
10	1	M0604003	Screw M6x12 UNI 5933
11	1	S413620041	Gear Z21
12	1	S4129400A0	Stripper arm support
13	1	S413560053	Drum W20
14	1	S281670097	Red line
15	1	A94136500	Assy Jaws Winch 20
			<i>Lower Jaw W20</i>
			<i>Upper Jaw W20</i>
			<i>Peeler W20 - 40</i>
	3	S385970001	<i>SPRING</i>
16	3	M6009103	Screw UNI EN ISO 1207:1996 - M5x35-A4
17	1	S413570019	Stripper Arm W20
18	3	M6007103	Screw M6x50 UNI6107
19	1	S4135800A5	Cover 1 Speed W20
20	1	A94136400	Assy Socket W20-80
			<i>Socket Handle W20/80</i>
			<i>Washer Ø7.7xØ25x5.8</i>
			<i>Screw M8x20 UNI 6109</i>

\*Available with service kit; see website [www.harken.com](http://www.harken.com)

\*\*Winch product sticker



## Radial Winch 20 STC

C = drum in chrome bronze

Pos.	Q.ty	Code	Description
1	1	A94136900	Assy Housing Winch 20
			<i>Housing W20</i>
	1	S413740085	<i>Bushing Ø9xØ11x9</i>
	1	S413960085	<i>Bushing Ø9xØ11x12</i>
			<i>Heli-coil M6x9</i>
	1	S413720080	<i>Bushing Ø55xØ62x34</i>
	1	S4137300B2	<i>Washer Ø33.5xØ58x5.5</i>
	1	S4137100A7	<i>Bushing Ø28xØ33x25</i>
2	1	A94138600	Assy Skirt Winch 20
			<i>Skirt W20</i>
			<i>Winch Product Sticker**</i>
3	1	A94136700	Assy Gear Z18
			<i>Gear Z18</i>
	2	S418730080	<i>Bushing Ø9xØ11x7</i>
4	4	S000080003	Pawl Ø8*
5	4	S000380001	Pawl Spring Ø8*
6	1	S413700004	Pin
7	1	S413630002	Shaft Winch 20
8			Winch Serial Number Sticker
9	1	S268890080	Washer
10	1	M0604003	Screw M6x12 UNI 5933
11	1	S413620041	Gear Z21
12	1	S4129400A0	Stripper arm support
13	1	S413550043	Drum C W20
14	1	S281670097	Red line
15	1	A94136500	Assy Jaws Winch 20
			<i>Lower Jaw W20</i>
			<i>Upper Jaw W20</i>
	1	S413610080	<i>Peeler W20 - 40</i>
	3	S385970001	<i>SPRING</i>
16	3	M6009103	Screw UNI EN ISO 1207:1996 - M5x35-A4
17	1	S413570019	Stripper Arm W20
18	3	M6007103	Screw M6x50 UNI6107
19	1	S4135800A5	Cover 1 Speed W20
20	1	A94136400	Assy Socket W20-80
			<i>Socket Handle W20/80</i>
			<i>Washer Ø7.7xØ25x5.8</i>
	1	S415130085	<i>Washer Ø7.7xØ25x5.8</i>
	1	M0614303	<i>Screw M8x20 UNI 6109</i>

\*Available with service kit; see website [www.harken.com](http://www.harken.com)

\*\*Winch product sticker



## Radial Winch 20 STCW

CW = chrome/white

Pos.	Q.ty	Code	Description
1	1	A94136900	Assy Housing Winch 20 <i>Housing W20</i>
	1	S413740085	<i>Bushing Ø9xØ11x9</i>
	1	S413960085	<i>Bushing Ø9xØ11x12</i>
			<i>Heli-coil M6x9</i>
	1	S413720080	<i>Bushing Ø55xØ62x34</i>
	1	S4137300B2	<i>Washer Ø33.5xØ58x5.5</i>
	1	S4137100A7	<i>Bushing Ø28xØ33x25</i>
2	1	A94138600W	Assy Skirt Winch 20 RAL9003 <i>Skirt W20 RAL9003</i> <i>Winch Product Sticker**</i>
3	1	A94136700	Assy Gear Z18 <i>Gear Z18</i>
	2	S418730080	<i>Bushing Ø9xØ11x7</i>
4	4	S000080003	Pawl Ø8*
5	4	S000380001	Pawl Spring Ø8*
6	1	S413700004	Pin
7	1	S413630002	Shaft Winch 20
8			Winch Serial Number Sticker
9	1	S268890080	Washer
10	1	M0604003	Screw M6x12 UNI 5933
11	1	S413620041	Gear Z21
12	1	S4129400A0	Stripper arm support
13	1	S413550043	Drum C W20
14	1	S281670097	Red line
15	1	A94136500W	Assy Jaws Winch 20 RAL9003 <i>Lower Jaw W20 RAL9003</i> <i>Upper Jaw W20 RAL9003</i>
	1	S413610080W	<i>Peeler W20 - 40 RAL9003</i>
	3	S385970001	<i>SPRING</i>
16	3	M6009103	Screw UNI EN ISO 1207:1996 - M5x35-A4
17	1	S413570019	Stripper Arm W20
18	3	M6007103	Screw M6x50 UNI6107
19	1	S4135800A5W	Cover 1 Speed W20 RAL9003
20	1	A94136400	Assy Socket W20-80 <i>Socket Handle W20/80</i>
	1	S415130085	<i>Washer Ø7.7xØ25x5.8</i>
	1	M0614303	<i>Screw M8x20 UNI 6109</i>

\*Available with service kit; see website [www.harken.com](http://www.harken.com)

\*\*Winch product sticker



## Radial Winch 20 STBBB

BBB = all bronze

Pos.	Q.ty	Code	Description
1	1	A96874100	Assy Housing Winch 20
			<i>Housing W20</i>
	1	S413740085	<i>Bushing Ø9xØ11x9</i>
	1	S413960085	<i>Bushing Ø9xØ11x12</i>
			<i>Heli-coil M6x9</i>
	1	S413720080	<i>Bushing Ø55xØ62x34</i>
			<i>Washer Ø33.5xØ58x5.5</i>
			<i>Bushing Ø28xØ33x25</i>
2	1	A94136700	Assy Gear Z18
			<i>Gear Z18</i>
	2	S418730080	<i>Bushing Ø9xØ11x7</i>
3	4	S000080003	Pawl Ø8*
4	4	S000380001	Pawl Spring Ø8*
5	1	S413700004	Pin
6	1	S413630002	Shaft Winch 20
7			Winch Serial Number Sticker
8	1	S268890080	Washer
9	1	M0604003	Screw M6x12 UNI 5933
10	1	S413620041	Gear Z21
11	1	S4129400A0	Stripper arm support
12	1	S416650043	Drum 20 BBB
13	1	S281670097	Red line
14	1	A96931900	Assy Jaws Winch 20 BBB
			<i>Lower Jaw W20 BBB</i>
			<i>Upper Jaw W20</i>
	1	S413610080	<i>Peeler W20 - 40</i>
	3	S385970001	<i>SPRING</i>
15	3	M6009103	Screw UNI EN ISO 1207:1996 - M5x35-A4
16	1	S693180019	Stripper Arm W20 BBB
17	3	M6007103	Screw M6x50 UNI6107
18	1	A76932000	COVER W20 BBB
19	1	A94136400	Assy Socket W20-80
			<i>Socket Handle W20/80</i>
	1	S415130085	<i>Washer Ø7.7xØ25x5.8</i>
	1	M0614303	<i>Screw M8x20 UNI 6109</i>
20			Winch Product Sticker**

\*Available with service kit; see website [www.harken.com](http://www.harken.com)

\*\*Winch product sticker



## Radial Winch 20 STCCC

CCC = All-Chrome bronze

Pos.	Q.ty	Code	Description
1	1	A96874100	Assy Housing Winch 20
			<i>Housing W20</i>
	1	S413740085	<i>Bushing Ø9xØ11x9</i>
	1	S413960085	<i>Bushing Ø9xØ11x12</i>
			<i>Heli-coil M6x9</i>
	1	S413720080	<i>Bushing Ø55xØ62x34</i>
			<i>Washer Ø33.5xØ58x5.5</i>
			<i>Bushing Ø28xØ33x25</i>
2	1	A94136700	Assy Gear Z18
			<i>Gear Z18</i>
	2	S418730080	<i>Bushing Ø9xØ11x7</i>
3	4	S000080003	Pawl Ø8*
4	4	S000380001	Pawl Spring Ø8*
5	1	S413700004	Pin
6	1	S413630002	Shaft Winch 20
7			Winch Serial Number Sticker
8	1	S268890080	Washer
9	1	M0604003	Screw M6x12 UNI 5933
10	1	S413620041	Gear Z21
11	1	S4129400A0	Stripper arm support
12	1	S416690043	Drum CCC W20
13	1	S281670097	Red line
14	1	A96811700	Assy Jaws Winch 20 CCC
			<i>Lower Jaw W20 CCC</i>
			<i>Upper Jaw W20 RAL9003</i>
	1	S413610080W	<i>Peeler W20 - 40 RAL9003</i>
	3	S385970001	<i>SPRING</i>
15	3	M6009103	Screw UNI EN ISO 1207:1996 - M5x35-A4
16	1	S413570019	Stripper Arm W20
17	3	M6007103	Screw M6x50 UNI6107
18	1	A76811000	Cover W20 CCC
19	1	A94136400	Assy Socket W20-80
			<i>Socket Handle W20/80</i>
	1	S415130085	<i>Washer Ø7.7xØ25x5.8</i>
			<i>Screw M8x20 UNI 6109</i>
20			Winch Product Sticker**

\*Available with service kit; see website [www.harken.com](http://www.harken.com)

\*\*Winch product sticker

