

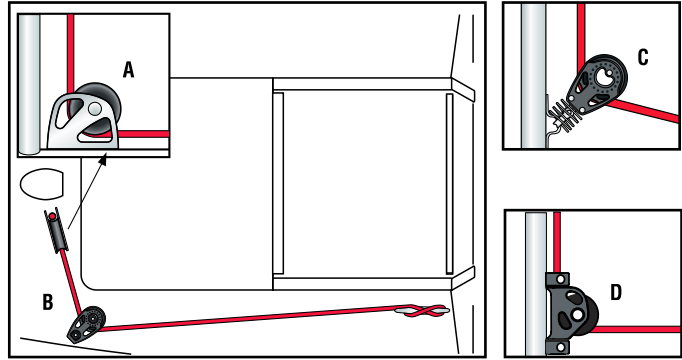
# Mastbase & Cabintop Blocks

Part numbers represent hardware most commonly used.

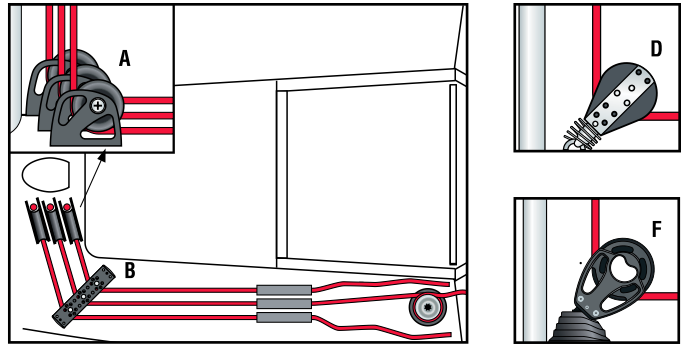
## Typical boat length:

Small Boat: 6.7 - 8.5 m (22 - 28')  
 Midrange: 8.8 - 10.4 m (29 - 34')  
 Big Boat: 10.7 - 12.8 m (35 - 42')

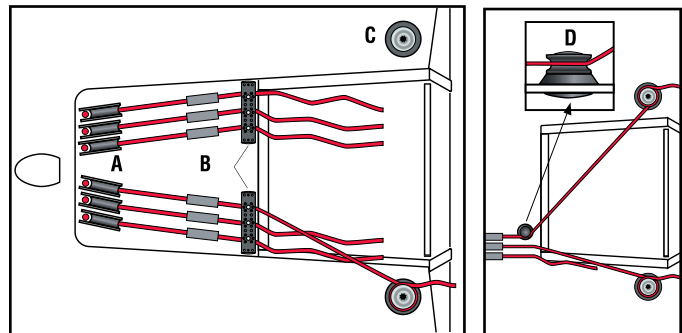
Diagram Ref.	Description	Small Boat Part No.	Midrange Part No.	Big Boat Part No.
<b>1 Halyard</b>				
A	Mastbase	222	1986	1990
B	Cheek	2644	2606	3220
C	Single	2652	—	—
D	Flip-Flop	2142	3122	1987
<b>3 Halyards</b>				
A	Mastbase	222	1986	1990
B	Deck organizer	271	6055	6053
C	Winch	20.2PTP	35.2PTP	40.2PTP
D	Single	2636	2660	1540
E	Stand-up spring	097	071	1634
F	Stand-up	2652	3227	3244
<b>6 Halyards</b>				
A	Mastbase	1986	1988	1990
B	Deck organizer	6055	6053	6053
C	Winch	20.2PTP	35.2PTP	40.2PTP
D	Crossover	—	1984	1981
<b>Over the Top</b>				
A	Mastbase	1986	1988	1990
B	Mastbase	1986	1988	1990
C	Mastbase	3002	3002	3002



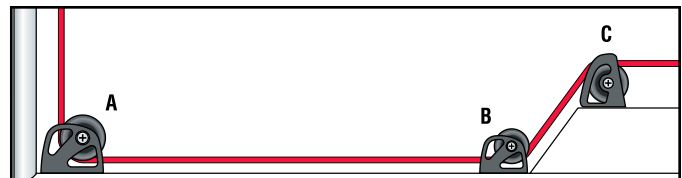
**1 Halyard:** This simple system leads principle halyards aft. Used by boats under 9 m (30').



**3 Halyards:** Larger boats use special mastbase halyard lead blocks. Lines are routed out to deck organizers then aft to stoppers and winches. Stand-up blocks on a base are sometimes preferred for their complete articulation, but they hold halyards higher off the deck than specialized mastbase blocks.



**6 Halyards:** Modern race boats lead halyards and control lines straight aft through deck organizers so they can be used on either cabintop winch.



**Over-the-Top:** Special "over-the-top" blocks are required to route lines over an outside corner like the front of a doghouse or coaming.