

TO BE KEPT WITH BOAT DOCUMENTS
BEI DEN SCHIFFSPAPIEREN AUFBEWAHREN
A CONSERVER AVEC LES DOCUMENTS DU BATEAU
PA ADJUNTAR A LA DOCUMENTACION DE LA ENBARCACION
BÖR FÖRVARAS I BÅTEN



Racing Winch Service Manual

Issue D July 2000

LEWMAR®

Index	2
Introduction	3/4/5
Spares Kit	3
Lewmar Limited Warranty	15

Winches	
No.40 STOR – 2 Speed from September 1993	4
No.44 STOR – 2 Speed from September 1993	5
No.44/3 AOR – 3 Speed from October 1994	6
No.48 STOR – 2 Speed from September 1993	7
No.48/3 AOR – 3 Speed from October 1994	8
No.50 STOR – 2 Speed from September 1993	9
No.50/3 AOR – 3 Speed from October 1994	10
No.54 STOR – 2 Speed from September 1993	11
No.58 STOR – 2 Speed from September 1993	12
No.60/3 STOR – 3 Speed from October 1994	13
No.62 STOR – 2 Speed from September 1993	14

Lewmar is the world's leading manufacturer of yacht winches. Our manufacturing facilities set the highest standards in quality materials and performance. Each Lewmar winch is tested to ensure that all stages in the manufacturing process conform to the Lewmar requirements of dimensional accuracy, rated strength and operating efficiency. Our winches are approved to Lloyds standards and in practice are in excess of them. Lewmar winches are constantly being tested in the latest racing competition, onboard leading ocean racers around the world and, whether racing or cruising, they are rated for their long life and performance.

However, as with any precision engineered assembly, Lewmar winches need regular maintenance to operate at peak efficiency. Without this attention, permanent damage and premature wear can result.

This manual gives complete parts details of custom winches in the Lewmar range together with service, assembly and mounting notes.

Lewmar has a worldwide network of offices and distributors who carry stocks of spare parts and spare kits. Expert advice and assistance is available for any servicing or repair problem.

GUARANTEE

Lewmar winches have been developed over many years by extensive testing aboard the world's finest ocean racers, long distance cruising yachts and match racing yachts. They are manufactured to quality standards in excess of those required by Lloyds and only the finest materials are used.

If installed, used and maintained as described in this manual they will give outstanding performance.

SERVICE NOTES

For satisfactory long term performance and product life these winches must be given the routine and full maintenance procedure described below.

Monthly – All Lewmar winches should be hosed down with fresh water then lightly oiled and greased in the separate free leaflet, 'How to service your winch'.

Two or three times during active sailing season – All Lewmar winches should be stripped, cleaned and lubricated.

At the end of each sailing season or before starting the new season –

All Lewmar winches should be completely stripped, cleaned, thoroughly checked for damage, lubricated and reassembled as detailed in this service manual.

SERVICE PROCEDURES

Dismantling – Lewmar winches are simple to dismantle and are designed for easy maintenance. The exploded view drawings show how the component parts can be removed easily from each winch.

Assembly – Winches must be assembled in the reverse sequence to the order of dismantling.

Mounting – All winches must be mounted using the correct size and type of retaining bolts. The winch must be mounted on a flat clean surface.

The hole centres for the winch retaining bolts must be marked off and drilled separately. The winch should be bedded on a light coating of sealing compound to stop leaks – too much compound gets in gears and pawls.

The winch retaining fastenings must be securely tightened (but not overtightened). The winch is self draining and care must be taken to ensure the drain holes are not blocked.

Handles – All current winches accept any standard international handle (Lewmar grey grip handle).

Full service facilities for Lewmar winches are provided at our factory, subsidiary companies, distributors and service centres worldwide. A full listing is provided at the back of this manual.

Parts pricing is subject to change. Apply to your nearest Lewmar office or distributor for current price lists.

RECOMMENDED LUBRICANTS

Grease – Lewmar grease 7010 (Lubricate Marine Lube 'A', etc.).

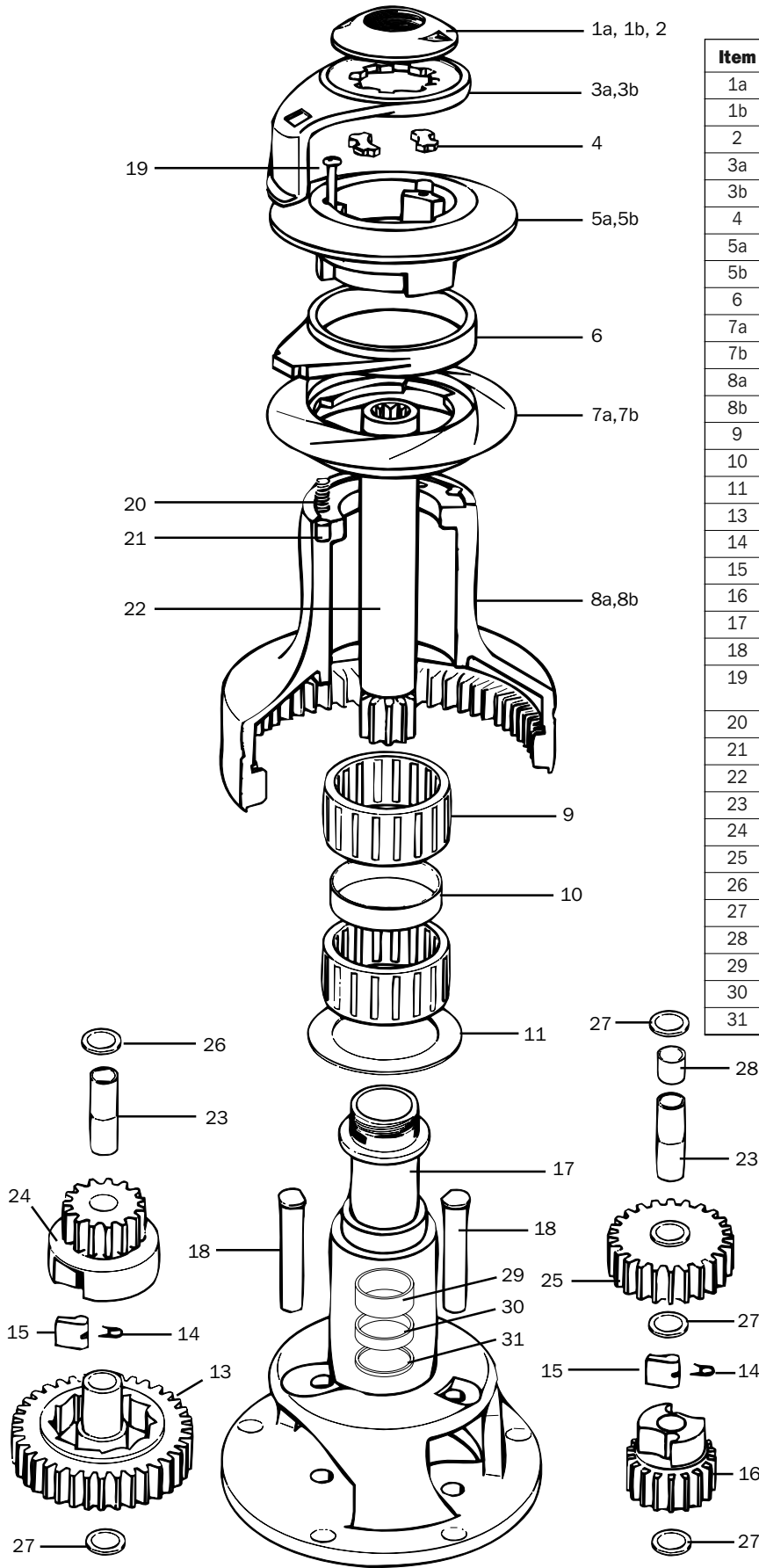
Oil – Light Machine Oil (3 in 1 or equivalent).

SPARES KIT

- 19700100** **Spares Kit 6 – 43** 4 x Standard small pawls and springs, 4 x gear spindle sleeves, 3 x keys, 4 x circlips.
- 19700200** **Spares Kit 16ST – 66ST** 6 x Standard small pawls, 4 x standard large pawls, 12 x pawl springs, 6 x gear spindle sleeves, 2 x collets, 2 x circlips.
- 19700300** **Spares Kit 44 – 65PB** (Not applicable for 88 – 144).
- 19700401** **50 – 66** 6 x Standard large pawls and 12 x pawl springs.
- 19700501** **6 – 48/66** 6 x Standard small pawls and 12 x pawl springs.
- 19700900** **Allen key set.**
- 19701000** **Geargrease™** – Packed in handy 100g plastic tube.
- 19701100** **Geargrease™** – Packed in handy 300g plastic tub. This waterproof grease contains solid activation which aids the load carrying characteristics of a winch. It is also suitable for trailer wheel bearings, steering gear, hydraulic equipment, outboard engines and many other marine applications.

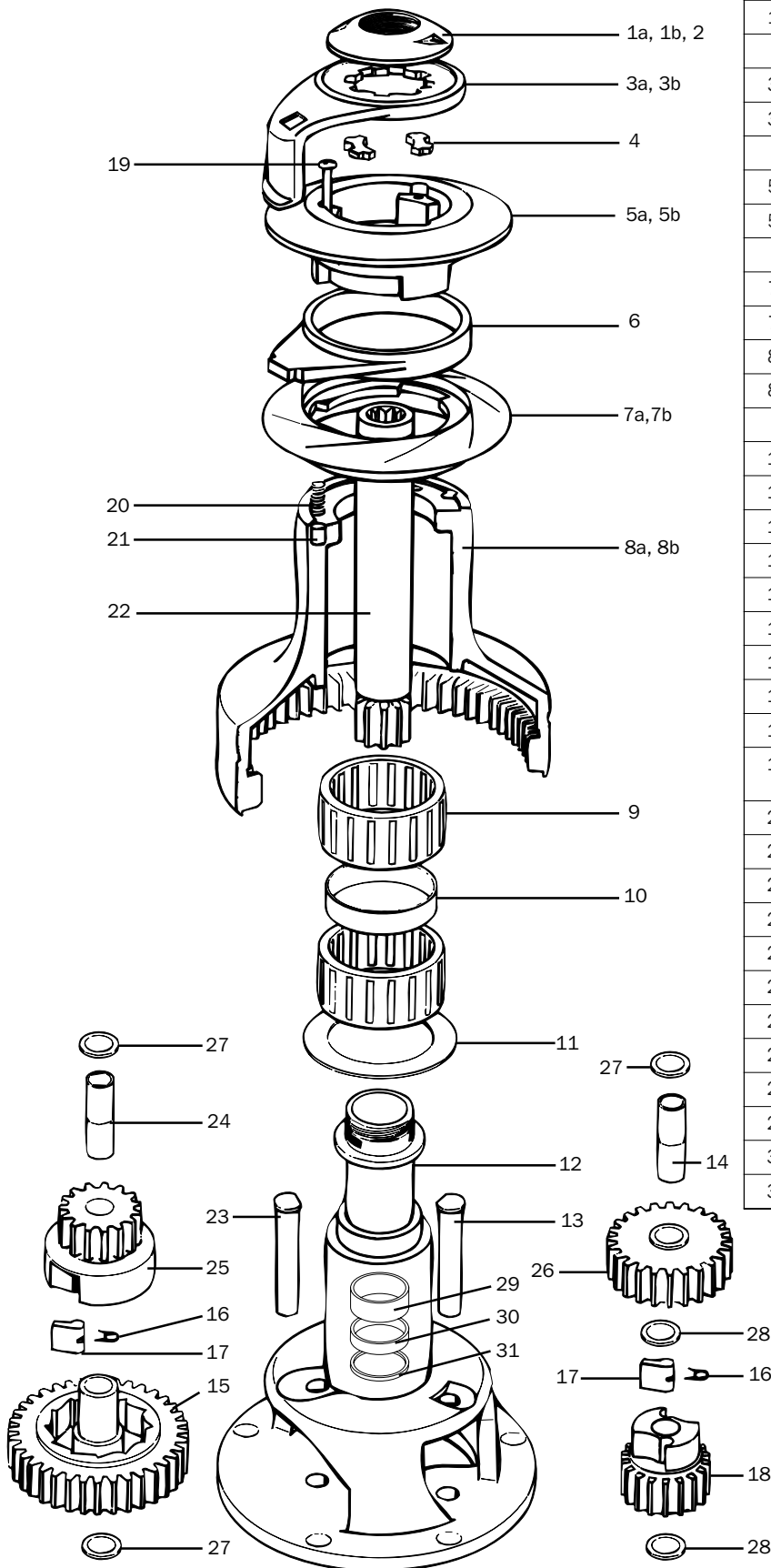
- 19701300** **Naval Jelly** – Packed in handy 200ml jar. Removes tarnishing from stainless steel surfaces and protects the material.
- 19701600** **RaceLube™** – 55ml plastic bottle. High performance winch oil. Special HD22 formula for winch pawls, springs and similar applications, where the use of grease is not advised.
- 19701500** **English/German/French/Spanish/Swedish** – Multi Language 'How to Service your Ocean Winch'. Ask your nearest dealer/distributor for a copy of 'How to Service your Ocean Winch' or buy:-
Winch Maintenance Pack – 100g tube of grease, 55ml HD22 oil, brush, 'How to' booklet, 10 x pawl springs.

NO.40 STOR - 2 SPEED SELF TAILING WINCH



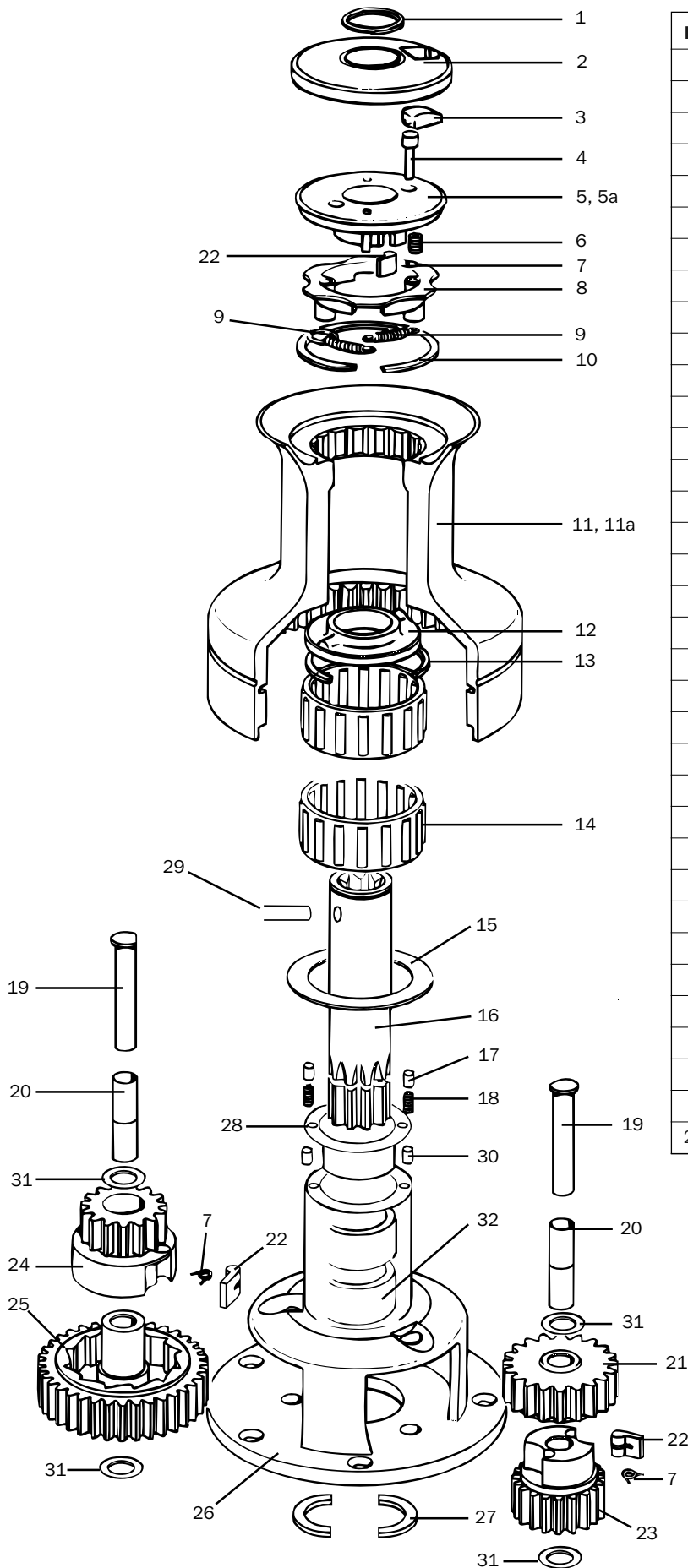
Item	Description	Part Number	No. Off
1a	Top Cap (Grey)	45003000	1
1b	Top Cap (Black)	45003001	1
2	'O' Ring (Fitted in Item 1a/1b)	B6061	1
3a	Feeder Arm (Grey)	45003003	1
3b	Feeder Arm (Black)	45003004	1
4	Plastic Collet	45003002	2
5a	Upper Crown (Grey)	45000105	1
5b	Upper Crown (Black)	45000185	1
6	Stripper Ring	45000108	1
7a	Lower Crown (Grey)	45000109	1
7b	Lower Crown (Black)	45000189	1
8a	Alloy Drum (Grey)	45000214	1
8b	Alloy Drum (Black)	45000284	1
9	Roller Bearing Assy	48000010	2
10	Bearing Spacer	45003010	1
11	Drum Washer	15044116	1
13	Ratchet Gear	45003020	1
14	Pawl Spring	1260/7	4
15	Pawl	15000094	4
16	Pawl Gear	45003021	1
17	Centre Stem Assy	48000027	1
18	Gear Spindle	45003023	2
19	M5 x 35 Stainless Steel Posidrive Pan HD Screw	B0337	3
20	Spring	45000112	6
21	Spring Cup	45000113	6
22	Main Spindle	45003018	1
23	Gear Spindle Sleeve	45003029	5
24	Pawl Gear	45003019	1
25	Ratchet Gear	45003026	1
26	Washer	45003028	1
27	Washer	45003027	4
28	Gear Spindle Sleeve	45003024	1
29	Main Spindle Sleeve	15000377	5
30	Sleeve (Short)	45003006	1
31	Ret Washer	45003025	1

NO.44 STOR - 2 SPEED SELF TAILING WINCH



Item	Description	Part Number	No. Off
1a	Top Cap (Grey)	45003000	1
1b	Top Cap (Black)	45003001	1
2	'O'Ring (Fitted in Item 1a/1b)	B6061	1
3a	Feeder Arm (Grey)	45003033	1
3b	Feeder Arm (Black)	45003034	1
4	Plastic Collet	45003002	2
5a	Upper Crown (Grey)	45000305	1
5b	Upper Crown (Black)	45000385	1
6	Stripper Ring	45000308	1
7a	Lower Crown (Grey)	45000309	1
7b	Lower Crown (Black)	45000389	1
8a	Alloy Drum (Grey)	45000314	1
8b	Alloy Drum (Black)	45000384	1
9	Roller Bearing Assy	48000011	2
10	Spacer	45003049	1
11	Drum Washer	45003035	1
12	Centre Stem Assy	48000028	1
13	Gear Spindle	45003054	1
14	Gear Spindle Sleeve	15003059	2
15	Ratchet Gear	45003050	1
16	Pawl Spring	1260/7	4
17	Pawl	15000094	4
18	Pawl Gear	45003051	1
19	M5 x 40 Stainless Steel Posidrive Pan HD Screw	B0327	3
20	Spring	45000112	6
21	Spring Cup	45000113	6
22	Main Spindle	45003048	1
23	Gear Spindle	45003053	1
24	Gear Spindle Sleeve	45003029	3
25	Pawl Gear	45003039	1
26	Ratchet Gear	45003052	1
27	Washer	45003027	3
28	Washer	45003057	2
29	Sleeve	15000377	5
30	Sleeve (Short)	45003036	1
31	Ret Washer	45003025	1

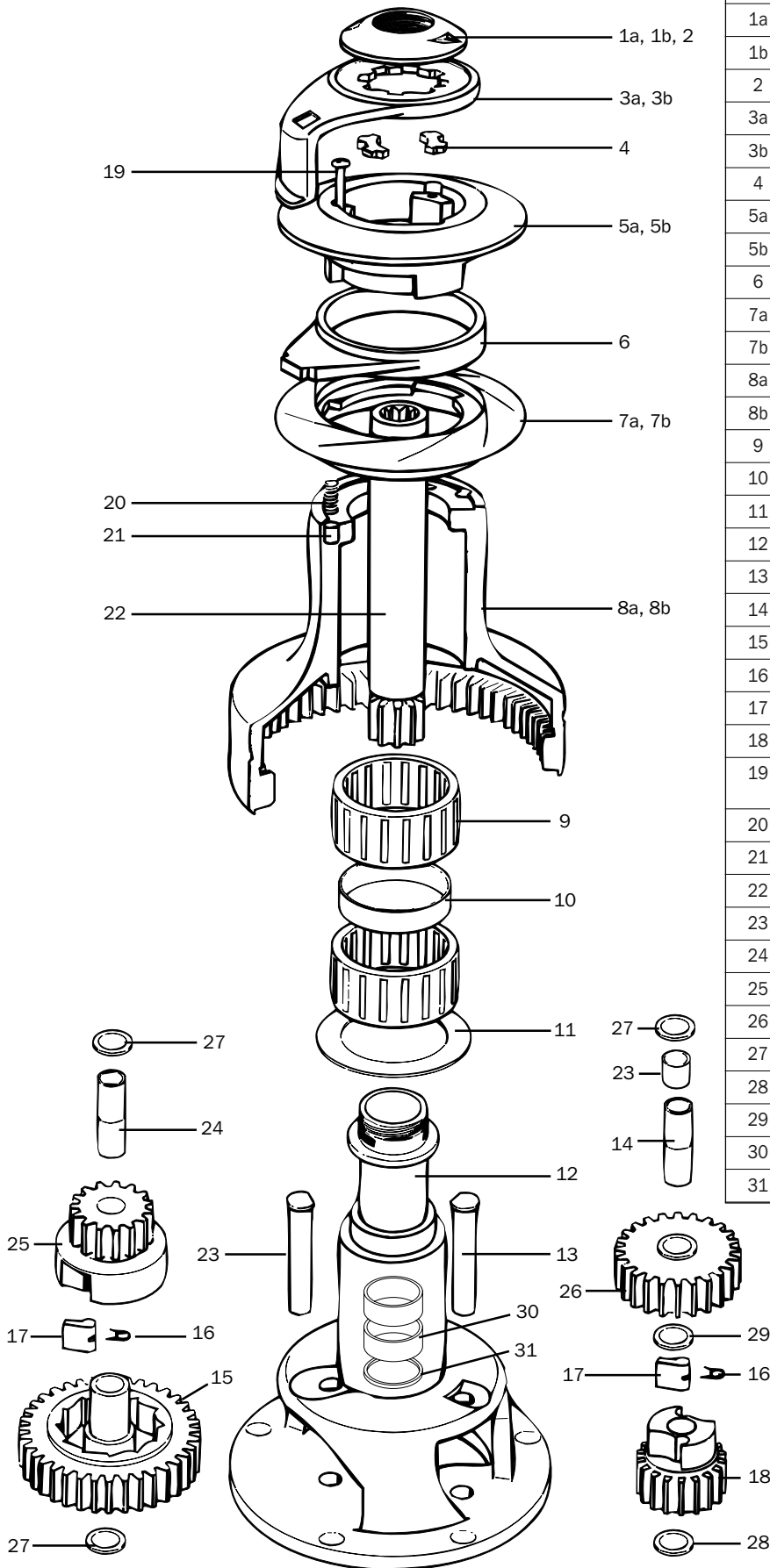
NO.44/3 AOR - 3 SPEED WINCH



Item	Description	Part Number	No. Off
1	Circlip	B2075	1
2	Top Cap Cover	15080106	1
3	Push Button	15044114	1
4	Plunger	15044111	1
5	Base Top Cap	15044104	1
5a	Spring - Anchor Pin	15044115	2
6	Spring	15044112	1
7	Pawl Spring	1260/7	6
8	Closing Ring	15044106	1
9	Spring	15044113	2
10	Circlip	B2083	1
11	Drum Assembly (Grey)	15003833/S	1
11a	Drum Assembly (Black)	15003833	1
12	Clutch Plate	15000910	1
13	Collet	15044118	2
14	Roller Bearing	48000012	2
15	Drum Washer	15044116	1
16	Spindle	15003836	1
17	Plunger	15137203	2
18	Spring	15137204	2
19	Gear Spindle	45000424	2
20	Gear Spindle Sleeve	15000398	4
21	Ratchet Gear	15003840	1
22	Pawl	15000094	6
23	Pawl Gear	15003837	1
24	Pawl Gear	15003839	1
25	Ratchet Gear	15003838	1
26	Centre Stem	15003834	1
27	Collet	15001537	2
28	Spacer	15003835	1
29	Drive Pin	15044119	1
30	Sleeve	LSK 4514/4	2
31	Washer	45003057	4
32	Sleeve	15000377	2
2-10	Top Cap Assy Complete	18000155	1

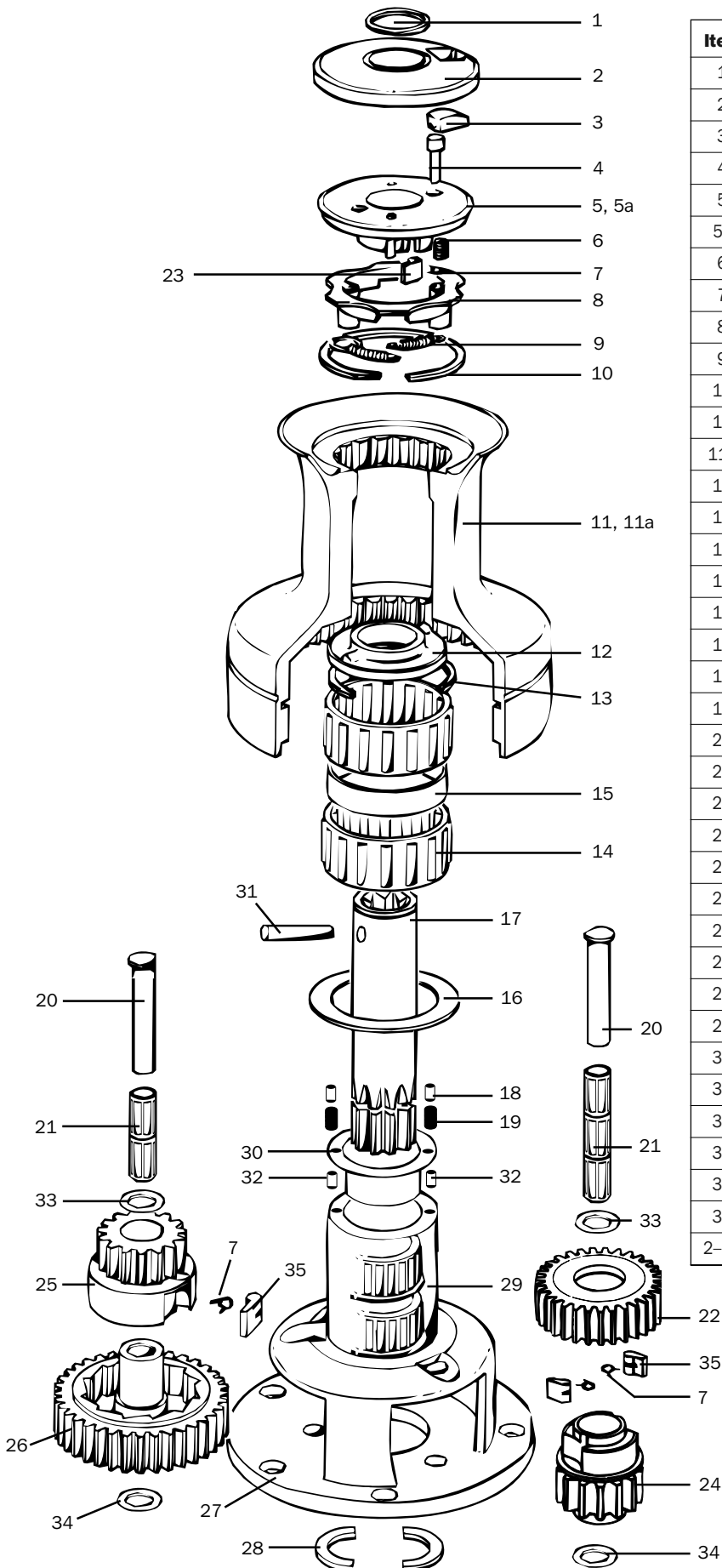
LEWMAR®

NO.48 STOR - 2 SPEED SELF TAILING WINCH



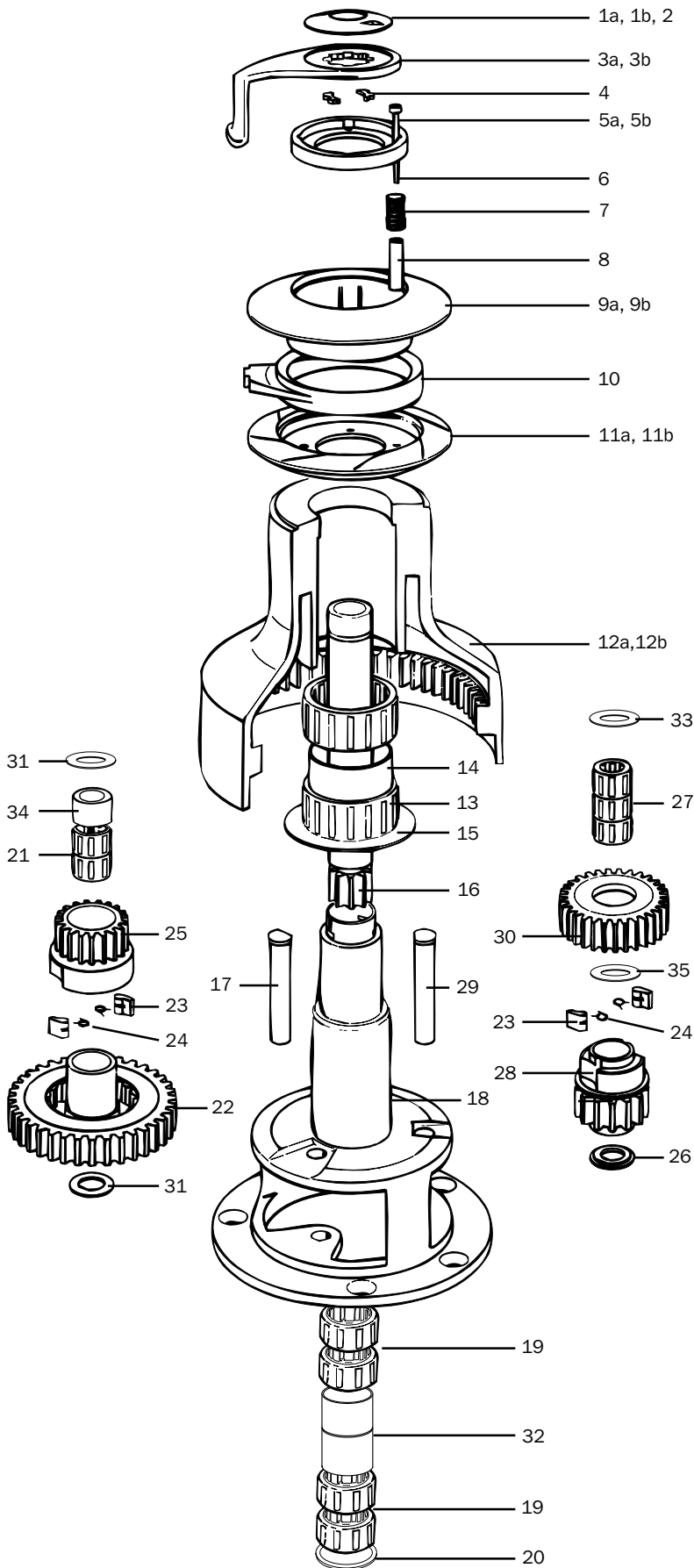
Item	Description	Part Number	No. Off
1a	Top Cap (Grey)	45003000	1
1b	Top Cap (Black)	45003001	1
2	'O' Ring (Fitted In Item 1a/1b)	B6061	1
3a	Feeder Arm (Grey)	45003063	1
3b	Feeder Arm (Black)	45003064	1
4	Plastic Collet	45003002	2
5a	Upper Crown (Grey)	45000405	1
5b	Upper Crown (Black)	45000485	1
6	Stripper Ring	45000408	1
7a	Lower Crown (Grey)	45000409	1
7b	Lower Crown (Black)	45000489	1
8a	Alloy Drum (Grey)	45000414	1
8b	Alloy Drum (Black)	45000484	1
9	Roller Bearing Assy	48000012	2
10	Spacer	15000404	1
11	Drum Washer	45003065	1
12	Centre Stem Assy	48000029	1
13	Gear Spindle	45003084	1
14	Gear Spindle Sleeve	45003059	2
15	Ratchet Gear	45003080	1
16	Pawl Spring	1260/7	4
17	Pawl	15000094	4
18	Pawl Gear	45003051	1
19	M5 x 40 Stainless Steel Posidrive Pan HD Screw	B0327	3
20	Spring	45000112	6
21	Spring Cup	45000113	6
22	Main Spindle	45003078	1
23	Gear Spindle	45003083	1
24	Gear Spindle Sleeve	45003029	3
25	Pawl Gear	45003079	1
26	Ratchet Gear	45003082	1
27	Washer	45003027	3
28	Washer	45003057	1
29	Washer	15001045	1
30	Sleeve	15000377	6
31	Ret Washer	45003025	1

NO.48/3 AOR - 3 SPEED WINCH



Item	Description	Part Number	No. Off
1	Circlip	B2075	1
2	Top Cap Cover	15080106	1
3	Push Button	15044114	1
4	Plunger	15044111	1
5	Base Top Cap	15044104	1
5a	Spring - Anchor Pin	15044115	2
6	Spring	15044112	1
7	Pawl Spring	1260/7	6
8	Closing Ring	15044106	1
9	Spring	15044113	2
10	Circlip	B2083	1
11	Drum Assembly (Grey)	15003853	1
11a	Drum Assembly (Black)	15003859	1
12	Clutch Plate	15000910	1
13	Collet	15044118	2
14	Roller Bearing	48000012	2
15	Spacer	15065115	1
16	Drum Washer	45003095	1
17	Spindle	15003856	1
18	Plunger	15137203	2
19	Spring	15137204	2
20	Gear Spindle	45003114	2
21	Gear Spindle Bearing	15000017	5
22	Ratchet Gear	45000522	1
23	Pawl	15000094	2
24	Pawl Gear	45003111	1
25	Pawl Gear	15001248	1
26	Ratchet Gear	45003075	1
27	Centre Stem	48000032	1
28	Collet	15001537	2
29	Roller Bearing	18000206	2
30	Spacer	15003835	1
31	Drive Pin	15044119	1
32	Sleeve	LSK 4514/4	2
33	Washer	15000247	2
34	Washer	15000646	2
35	Pawl	15000301	4
2-10	Top Cap Assy Complete	18000155	1

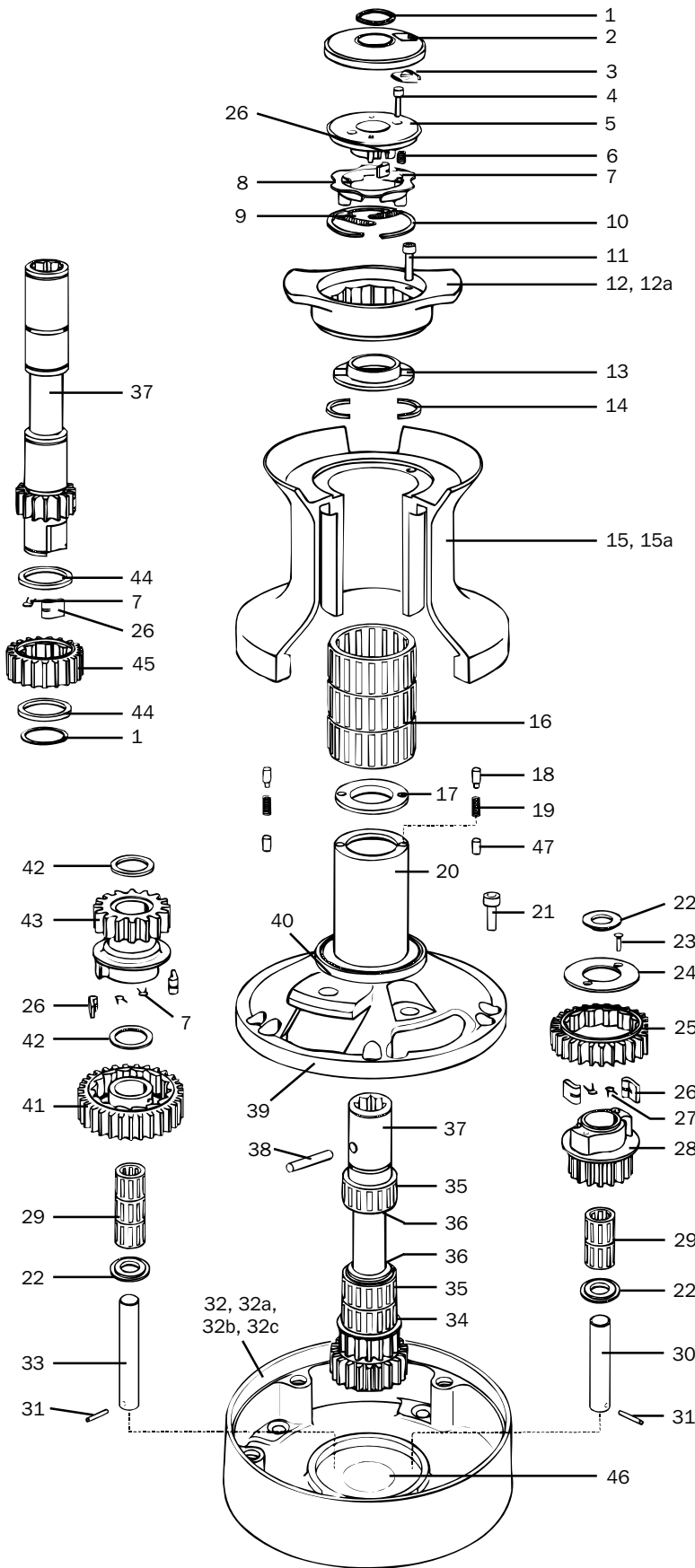
NO.50 STOR - 2 SPEED SELF TAILING WINCH



Item	Description	Part Number	No. Off
1a	Top Cap (Grey)	45003000	1
1b	Top Cap (Black)	45003001	1
2	'O' Ring (Fitted In Item 1a/1b)	B6061	1
3a	Feeder Arm (Grey)	45003093	1
3b	Feeder Arm (Black)	45003094	1
4	Plastic Collet	45003002	2
5a	Spring Retainer (Grey)	45000525	1
5b	Spring Retainer (Black)	45000595	1
6	M6 x 50 Skt Hd Cap Screw	B0746	4
7	Spring	45000512	4
8	Spacer	45000513	4
9a	Upper Crown (Grey)	45000505	1
9b	Upper Crown (Black)	45000585	1
10	Stripper Ring	45000508	1
11a	Lower Crown (Grey)	45000509	1
11b	Lower Crown (Black)	45000589	1
12a	Alloy Drum (Grey)	45000514	1
12b	Alloy Drum (Black)	45000584	1
13	Roller Bearing Assy	18000203	2
14	Bearing Spacer	45003101	1
15	Drum Washer	45003095	1
16	Main Spindle	45003108	1
17	Gear Spindle	45003113	1
18	Centre Stem Assy	48000030	1
19	Roller Bearing Assy	18000206	4
20	Circlip	B2092	1
21	Roller Bearing Assy	1300/SA2	2
22	Ratchet Gear	45000520	1
23	Pawl	15000301	4
24	Pawl Spring	1260/7	4
25	Pawl Gear	45003109	1
26	Flanged Washer	15000646	1
27	Roller Bearing Assy	15000017	3
28	Pawl Gear	45003111	1
29	Gear Spindle	45003114	1
30	Ratchet Gear	45003112	1
31	Washer	15000981	2
32	Spacer	45003100	2
33	Washer	15000247	1
34	Plain Bearing	45003102	1
35	Washer	45000533	1

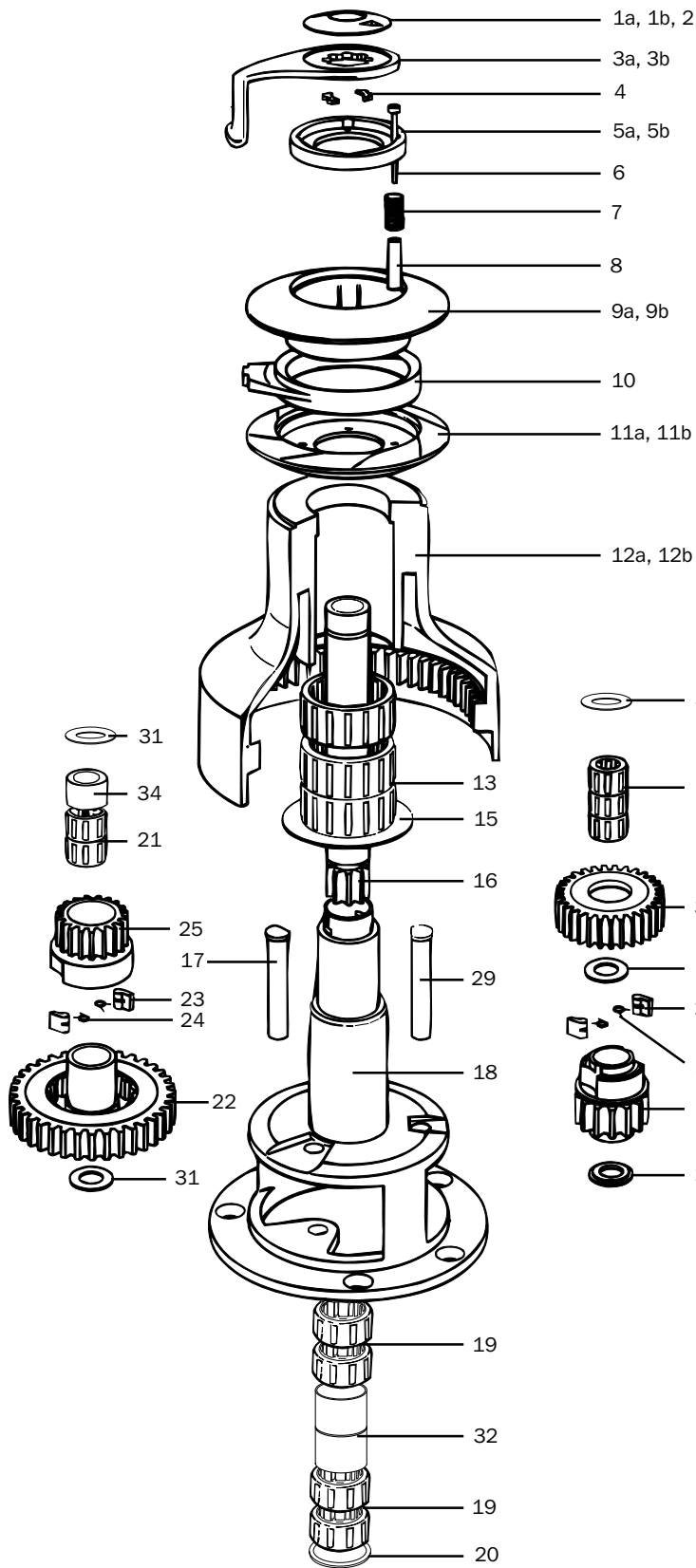
Note: Item 34 must be positioned as the top bearing on the output gear.

NO.50/3 AOR - 3 SPEED WINCH



Item	Description	Part Number	No. Off
1	Circlip	B2075	2
2	Top Cap Cover	15080106	1
3	Push Button	15044114	1
4	Plunger	15044111	1
5	Base Top Cap	15044104	1
5a	Spring - Anchor Pin	15044115	2
6	Spring	15044112	1
7	Pawl Spring	1260/7	6
8	Closing Ring	15044106	1
9	Spring	15044113	2
10	Circlip	B2083	1
11	Screw	B0680	4
12	Cleat (Grey)	WSK 4882/19/S	1
12a	Cleat (Black)	WSK 4882/19	1
13	Clutch Plate	15000910	1
14	Collet	15044118	2
15	Drum (Grey)	WSK 4882/1/S	1
15a	Drum (Black)	WSK 4882/1	1
16	Bearing	18000203	3
17	Spacer	WSK 4514/2	1
18	Plunger	15137203	2
19	Spring	15137204	2
20	Centre Stem (Upper)	WSK 4882/8	1
21	Screw	B0686	5
22	Washer	15000646	3
23	Screw	B0543	2
24	Retaining Plate	15001277	1
25	Ratchet Gear	WSK 4882/13	1
26	Pawl	15000094	8
27	Pawl Spring	1260/7	8
28	Pawl Gear	WSK 4882/12	1
29	Bearing	15000017	5
30	Gear Spindle	WSK 4882/16	1
31	Roll Pin	B1501	2
32	Base (Grey)	WSK 4883/3/S	1
32a	Base (Black)	WSK 4883/3	1
32b	Helicoil	B2423	5
32c	Hollow Dowel	45002140	2
33	Gear Spindle	WSK 4882/15	1
34	Washer	15001556	1
35	Bearing	18000206	3
36	Circlip	B2086	2
37	Main Spindle	WSK 4883/9	1
38	Drive Pin	15044119	1
39	Centre Stem (Lower)	WSK 4882/5	1
40	Delrin Ball	B1726	60
41	Ratchet Gear	WSK 4882/10	1
42	Washer	WSK 4882/17	2
43	Pawl Gear	WSK 4882/11	1
44	Spacer	15000303	2
45	Ratchet Gear	WSK 4882/14	1
46	Thrust Washer	WSK 4882/18	1
47	Sleeve	LSK 4514/4	2
2-10	Top Cap Assy Complete	18000155	1

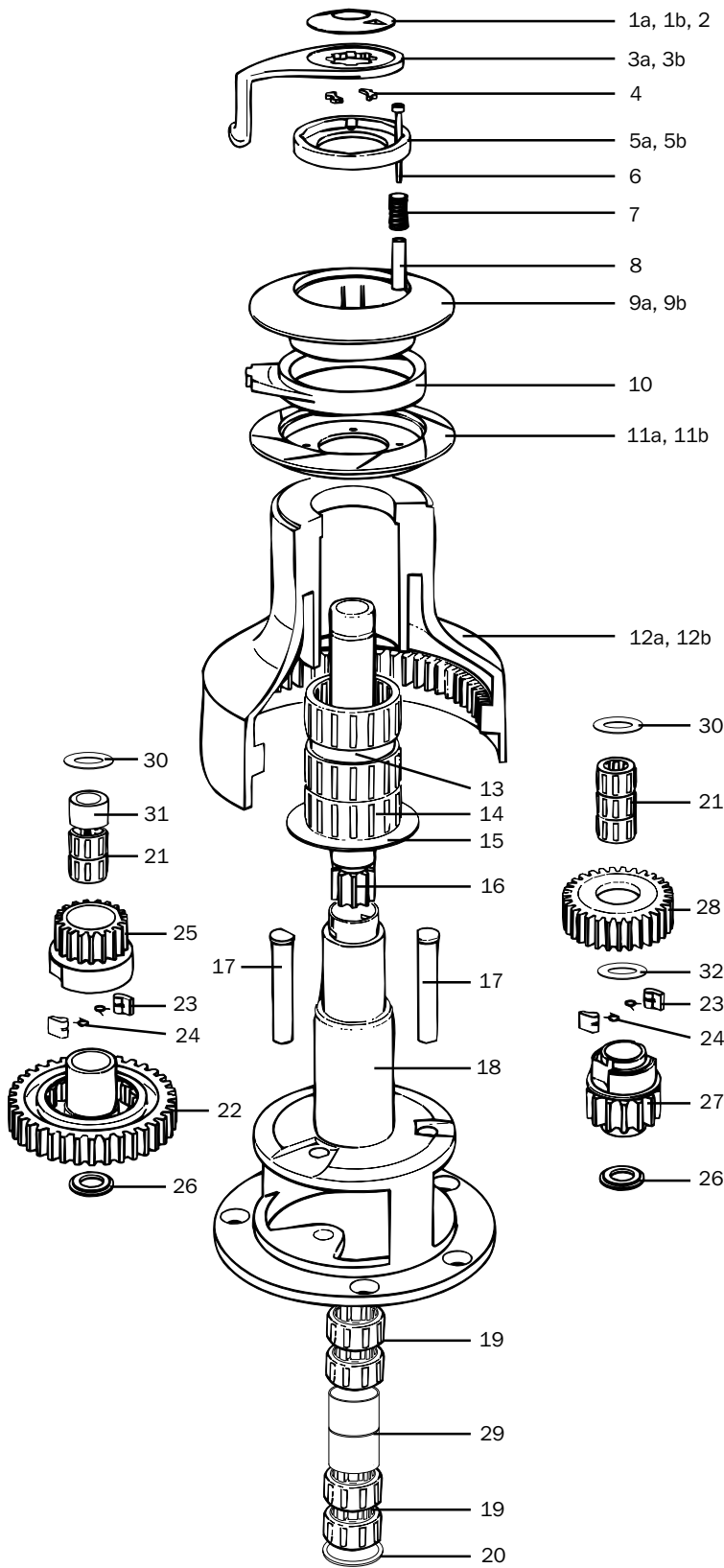
NO.54 STOR - 2 SPEED SELF TAILING WINCH



Item	Description	Part Number	No. Off
1a	Top Cap (Grey)	45003000	1
1b	Top Cap (Black)	45003001	1
2	'O' Ring (Fitted In Item 1a/1b)	B6061	1
3a	Feeder Arm (Grey)	45003123	1
3b	Feeder Arm (Black)	45003124	1
4	Plastic Collet	45003002	2
5a	Spring Retainer (Grey)	45000525	1
5b	Spring Retainer (Black)	45000595	1
6	M6 x 50 Skt HD Cap Screw	B0746	4
7	Spring	45000512	4
8	Spacer	45000513	4
9a	Upper Crown (Grey)	45000505	1
9b	Upper Crown (Black)	45000585	1
10	Stripper Ring	45000508	1
11a	Lower Crown (Grey)	45000509	1
11b	Lower Crown (Black)	45000589	1
12a	Alloy Drum (Grey)	45000614	1
12b	Alloy Drum (Black)	45000684	1
13	Roller Bearing Assy	18000203	3
15	Drum Washer	45003095	1
16	Main Spindle	45003138	1
17	Gear Spindle	45003113	1
18	Centre Stem Assy	48000031	1
19	Roller Bearing Assy	18000206	4
20	Circlip	B2092	1
21	Roller Bearing Assy	1300/SA2	2
22	Ratchet Gear	45000520	1
23	Pawl	15000301	4
24	Pawl Spring	1260/7	4
25	Pawl Gear	45003109	1
26	Flanged Washer	15000646	1
27	Roller Bearing Assy	15000017	3
28	Pawl Gear	45003141	1
29	Gear Spindle	45003114	1
30	Ratchet Gear	45003112	1
31	Washer	15000981	2
32	Spacer	45003130	2
33	Washer	15000247	1
34	Plain Bearing	45003102	1
35	Washer	45000533	1

Note: Item 34 must be positioned as the top bearing on the output gear.

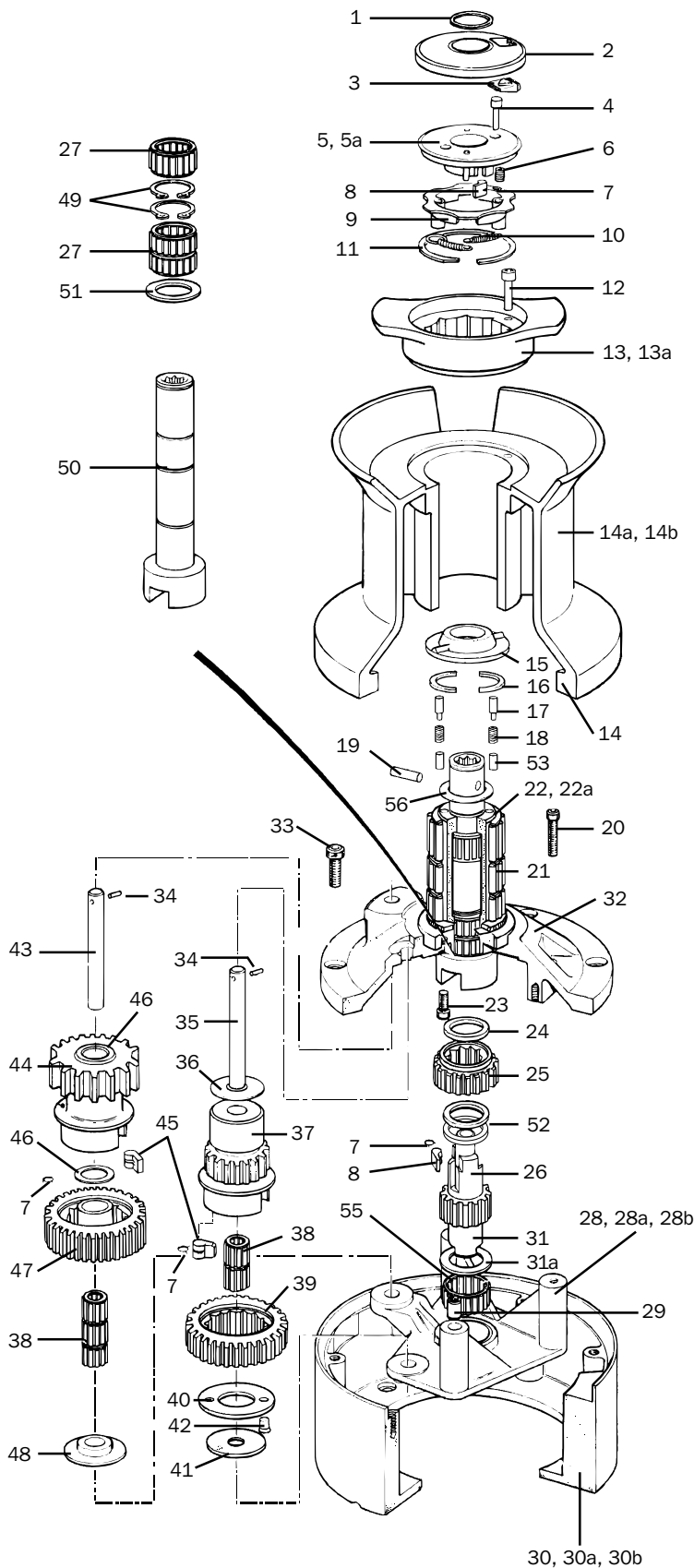
NO.58 STOR - 2 SPEED SELF TAILING WINCH



Item	Description	Part Number	No. Off
1a	Top Cap (Grey)	45003150	1
1b	Top Cap (Black)	45003151	1
2	'O' Ring (Fitted In Item 1a/1b)	B6061	1
3a	Feeder Arm (Grey)	45003153	1
3b	Feeder Arm (Black)	45003154	1
4	Plastic Collet	45003002	2
5a	Spring Retainer (Grey)	45000725	1
5b	Spring Retainer (Black)	45000795	1
6	M6 x 55 Skt HD Cap Screw	B0756	4
7	Spring	45000512	4
8	Spacer	45000713	4
9a	Upper Crown (Grey)	45000705	1
9b	Upper Crown (Black)	45000785	1
10	Stripper Ring	45000708	1
11a	Lower Crown (Grey)	45000709	1
11b	Lower Crown (Black)	45000789	1
12a	Alloy Drum (Grey)	45000714	1
12b	Alloy Drum (Black)	45000784	1
13	Spacer	45003159	1
14	Roller Bearing Assy	18000203	3
15	Drum Washer	45003095	1
16	Main Spindle	45003168	1
17	Gear Spindle	45003114	2
18	Centre Stem Assy	48000037	1
19	Roller Bearing Assy	18000206	4
20	Circlip	B2092	1
21	Roller Bearing Assy	15000017	5
22	Ratchet Gear	45003170	1
23	Pawl	15000301	4
24	Pawl	1260/7	4
25	Pawl Gear	45003169	1
26	Flanged Washer	15000646	2
27	Pawl Gear	45003171	1
28	Ratchet Gear	45003172	1
29	Spacer	45003160	2
30	Washer	15000247	2
31	Plain Bearing	45003162	1
32	Washer	45000533	1

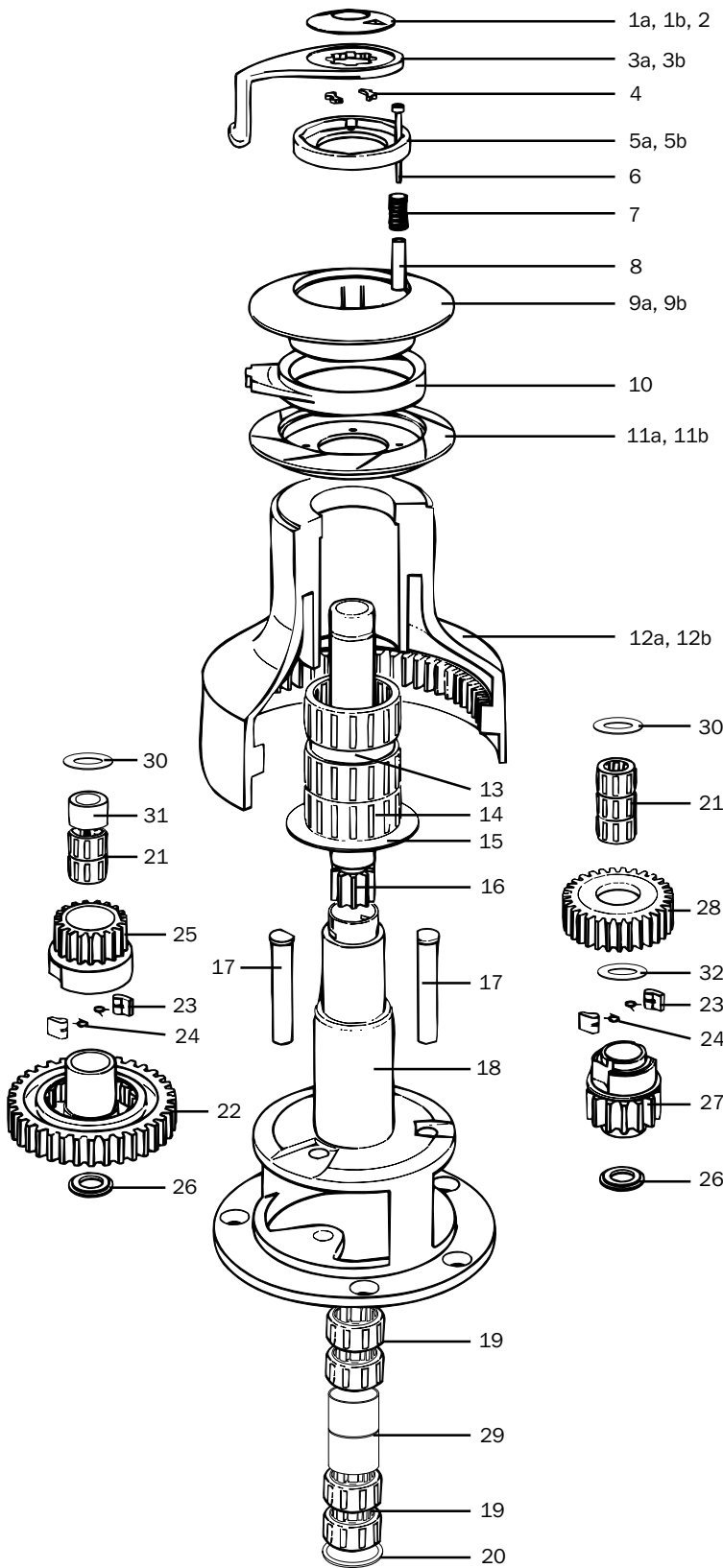
Note: Item 31 must be positioned as the top bearing on the output gear.

NO.60/3 STOR - 3 SPEED WINCH



Item	Description	Part Number	No. Off
1	Circlip	B2075	1
2	Top Cap Cover	15080106	1
3	Push Button	15044114	1
4	Plunger	15044111	1
5	Top Cap	15044104	1
5a	Spring Anchor Pin	15044115	2
6	Spring	15044112	1
7	Pawl Spring	1260/7	9
8	Pawl (Small)	15000094	4
9	Closing Ring	15044106	1
10	Spring	15044113	2
11	Circlip	B2083	1
12	Skt Hd Cap Screw M6 x 20mm Long	B0680	4
13	Cleat (Grey)	WSK 4750/14/S	1
13a	Cleat (Black)	WSK 4750/14	1
14	Gear Ring	WSK 4750/3	1
14a	Alloy Drum (Grey)	WSK 4902/2/S	1
14b	Alloy Drum (Black)	WSK 4902/2	1
15	Clutch Plate	15000910	1
16	Collet	15044118	2
17	Plunger	15137203	2
18	Spring	15137204	2
19	Drive Pin	15044119	1
20	Skt Hd Cap Screw M8 x 35mm Long	B0760	3
21	Drum Bearing	18000203	3
22	Upper Centre Stem	15001653	1
22a	Delrin Ball	B1726	59
23	Skt Hd Cap Screw M8 x 12mm Long	B0826	6
24	Spacer	15000303	1
25	Ratchet Gear	WSK 4750/8	1
26	Spindle - Extension	WSK 4750/9	1
27	Roller Bearing	18000206	3
28	Bridge Piece	15001257	1
28a	Sleeve - Bridge Piece	15000053	1
28b	Heli-coil Insert	B2423	6
29	Hollow Dowel	15065111	2
30	Base (Grey)	15001531/S	1
30a	Base (Black)	15001531	1
30b	Heli-coil Insert	B2424	4
31	Drive Dog	45002183	1
31a	Washer	15000779	1
32	Lower Centre Stem	15001256	1
33	Skt Hd Cap Screw M10 x 20mm Long	B0691	4
34	Spirol Pin	B1501	2
35	Gear Sprindle	15000236	1
36	Washer	15001272	1
37	Idler Gear	WSK 4750/5	1
38	Roller Bearing	15000017	5
39	Ratchet Gear	WSK 4750/6	1
40	Retaining Plate	15001277	1
41	Washer	15000247	1
42	CSk HD Posidrive Screw M5 x 12mm Long	B0543	2
43	Gear Spindle	15001275	1
44	Pawl Gear	WSK 4750/12	1
45	Pawl (Large)	15000301	5
46	Washer	15000940	2
47	Ratchet Gear	WSK 4750/7	1
48	Flanged Washer	15000306	1
49	Circlip	B2086	2
50	Main Spindle	WSK 4750/16	1
51	Washer	15001556	1
52	Collet	WSK4790/11	2
53	Sleeve	LSK 4514/4	2
55	Roller Bearing	15000019	1
56	Flanged Bush	LSK 4514/2	1
2-10	Top Cap Assy Complete	18000155	1

NO.62 STOR - 2 SPEED SELF TAILING WINCH



Item	Description	Part Number	No. Off
1a	Top Cap (Grey)	45003150	1
1b	Top Cap (Black)	45003151	1
2	'O' Ring (Fitted In Item 1a/1b)	B6061	1
3a	Feeder Arm (Grey)	45003183	1
3b	Feeder Arm (Black)	45003184	1
4	Plastic Collet	45003002	2
5a	Spring Retainer (Grey)	45000725	1
5b	Spring Retainer (Black)	45000795	1
6	M6 x 55 Skt Hd Cap Screw	B0756	4
7	Spring	45000512	4
8	Spacer	45000713	4
9a	Upper Crown (Grey)	45000705	1
9b	Upper Crown (Black)	45000785	1
10	Stripper Ring	45000708	1
11a	Lower Crown (Grey)	45000709	1
11b	Lower Crown (Black)	45000789	1
12a	Alloy Drum (Grey)	45000814	1
12b	Alloy Drum (Black)	45000884	1
13	Spacer	45003189	1
14	Roller Bearing Assy	18000203	3
15	Drum Washer	45003095	1
16	Main Spindle	45003198	1
17	Gear Spindle	45003114	2
18	Centre Stem Assy	48000038	1
19	Roller Bearing Assy	18000206	4
20	Circlip	B2092	1
21	Roller Bearing Assy	15000017	5
22	Ratchet Gear	45003170	1
23	Pawl	15000301	4
24	Pawl Spring	1260/7	4
25	Pawl Gear	45003169	1
26	Flanged Washer	15000646	2
27	Pawl Gear	45003201	1
28	Ratchet Gear	45003172	1
29	Spacer	45003190	2
30	Washer	15000247	2
31	Plain Bearing	45003162	1
32	Washer	45000533	1

Note: Item 31 must be positioned as the top bearing on the output gear.

LEWMAR LIMITED WARRANTY

Lewmar warrants its products in normal usage to be free of defects in materials and workmanship for a period of three years from date of purchase by the end purchaser, subject to the conditions, limitations and exceptions listed below. Any part, which proves to be defective in normal usage during that three-year period, will be repaired or at Lewmar's option, replaced by Lewmar.

A CONDITIONS AND LIMITATIONS

- Lewmar's liability shall be limited to repair or replacement of the goods or parts defective in materials or workmanship.
- Determination of the suitability of the material for the use contemplated by the buyer is the sole responsibility of the buyer and Lewmar shall have no responsibility in connection with such suitability.
- Lewmar shall not be liable in any way for:
 - Failures, loss or damage due to use of products in applications for which they are not intended.
 - Failures, loss or damage due to corrosion, ultra violet degradation, wear and tear or improper installation.
 - Failures, loss or damage due to incorrect maintenance.
 - Failures, loss or damage due to conditions that exceed the product's performance specifications.
- Product subject to warranty claim must be returned to Lewmar for examination unless otherwise agreed by Lewmar in writing.
- Lewmar shall not be responsible for shipping charges nor installation labour associated with any warranty claim.
- Service by anyone other than authorised Lewmar representatives shall void this warranty unless it accords with Lewmar guidelines and standards of workmanship.
- Lewmar's products are intended for use only for marine purposes. Buyers intending to use them for any other purpose should seek advice from Lewmar, and Lewmar shall be under no liability arising from use, which Lewmar has not approved.

B EXCEPTIONS

- Warranty is limited to a period of one year from the date of purchase in the case of the following:
- Bow thrusters

- Electric motors and electrical equipment
- Electronic control systems
- Hydraulic pumps, valves and actuators
- Weather seals
- Products used in "Grand Prix" racing applications

C LIABILITY

- Lewmar's liability under this warranty shall be to the exclusion of all other warranties or liabilities (to the extent permitted by law). In particular (but without limitation):
 - Lewmar shall not be liable for:
 - Any indirect or consequential loss including (without limitation), damage to reputation or goodwill, loss of expected future business, damages, costs or expenses payable to any third party or any other indirect losses.
 - Any damage to yachts or equipment.
 - Death or personal injury (unless caused by Lewmar's negligence).
 - Lewmar grants no warranties regarding the fitness for purpose, use, nature or satisfactory quality of the goods.
 - Where the laws of the country do not permit a warranty to be excluded, then such warranty, if permitted by that country's law, shall be limited to a period of one year.

D SEVERANCE CLAUSE

If any clause of these warranties is held by any competent authority to be invalid or unenforceable in whole or in part on the grounds of the other clauses of this warranty and the remainder of the clause in question shall not be affected.

- E** These warranties give you specific legal rights, and you may also have other legal rights, which vary, from country to country. Where the products are sold in the UK under a consumer transaction, the buyer's statutory rights are not affected. Lewmar Limited reserves the right to alter design and specification without prior notice.

GARANTIE VON LEWMAR LIMITED

Lewmar garantiert für einen Zeitraum von drei Jahren ab Kaufdatum – den normalen Gebrauch der Produkte vorausgesetzt – daß seine Produkte keine Herstellungs- oder Materialfehler aufweisen. Diese Gewährleistung erfolgt zu den Bedingungen und mit den Beschränkungen und Ausnahmen, die nachstehend aufgeführt sind. Teile, die bei normaler Gebrauchsgarantie als fehlerhaft erwiesen werden, werden von Lewmar repariert oder aufgrund Lewmar's Entscheidung ausgetauscht.

A BEGRENZUNGEN UND EINSCHRÄNKUNGEN

- Die Haftung von Lewmar ist auf die Reparatur – einen Austausch der Teile beschränkt, die Material- oder Herstellungsfehler aufweisen.
- Die Feststellung, ob die Material für die vom Käufer bewerkte Verwendungsgattung geeignet ist, fällt unter die alleinige Verantwortung des Käufers. Lewmar übernimmt keine Haftung im Zusammenhang mit einer solchen Eingeständnisstellung.
- Lewmar kann nicht haftbar gemacht werden für:
 - a Versagen, Verlust oder Schäden aufgrund der Nutzung der Produkte in Anwendungen, für die sie nicht bestimmt sind.
 - b Versagen, Verlust oder Schäden durch Korrosion, UV-Zersetzung, normalen Verschleiß oder falsche Installation.
 - c Versagen, Verlust oder Schäden durch falsche Wartung.
 - d Versagen, Verlust oder Schäden durch Überbeanspruchung der Produkte.
- Produkte, für die Garantiesprüche geltend gemacht werden, müssen an Lewmar zwecks Prüfung zurückgeschickt werden, es sei denn, daß Lewmar schriftlich eine andere Vereinbarung bestatigt hat.
- Lewmar übernimmt keine Frachtkosten oder Kosten für Installationsarbeiten im Zusammenhang mit einem Garantiespruch.
- Die Garantie verfällt, wenn andere Personen als zugelassene Lewmar-Vertreter Servicearbeiten in Bezug auf die Produkte durchführen, es sei denn, daß diese Arbeiten den Richtlinien und Herstellungsstandards von Lewmar entsprechen.
- Produkte, die ausschließlich für den Einsatz im Wassersport- bereich konzipiert, Käufer, die diese Produkte für jeglichen anderen Zweck benutzen, wollen das Einverständnis von Lewmar einholen; Lewmar unterliegt dabei keiner Haftung durch den Gebrauch, den Lewmar nicht ausdrücklich gebilligt hat.

B AUSNAHMEN

- Die Garantie ist in folgenden Fällen für die Zeildauer eines Jahres, beginnend mit dem Datum des Verkaufes befristet:
- Bugstrahlruder
 - Elektrische Motoren und elektrische Ausrüstung

- Elektronische Steuerungen
- Hydraulische Pumpen, Ventile und Drehzahlregler
- Wetterdichtungen
- Produkte, die in "Grand Prix"-Einsatz

C HAFTUNG

- Die Haftung seitens Lewmar schließt alle anderen Garantien und Verantwortlichkeiten (in dem Maße, wie das Gesetz zulässig) aus. Insbesondere (jedoch nicht limitativ):
 - a haftet Lewmar nicht für:
 - eventuelle indirekte, mittelbare oder Folgeschäden einschließlich (jedoch ohne Begrenzung) entgangener erwarteter Gewinne, des Verlusts von erwarteten zukünftigen Geschäfte, Schädigung von Ruf oder Goodwill sowie einschließlich Schäden, Kosten oder Aufwendungen, die an Dritte zahlt sind sowie einschließlich anderer indirekter Verluste; Schäden an Yachten oder Ausrüstung.
 - Tod oder Personenschaden (ausgenommen verursacht durch Fahrlässigkeit von Lewmar).
 - b Lewmar gewährt keine Garantie bezüglich der Eignung der Produkte hinsichtlich der vom Käufer bezweckten Nutzung, des Gebrauchs, der Art der Marktgängigkeit oder der betrieblängigen Qualität der Produkte.
 - c Wenn die relevanten Gesetzes des betreffenden Landes den Ausschluß von Garantien nicht erlauben, wird die Garantie oder, falls die Gesetze dies zulassen, auf ein (1) Jahr beschränkt.
- D ABTRETBARKEIT EINZELNER BESTIMMUNGEN**

Falls eine oder mehrere dieser Garantiebestimmungen von einer zuständigen Behörde ganz oder teilweise für nicht gültig oder nicht einklagbar erachtet werden, mindert dies nicht die Gültigkeit der übrigen Bestimmungen dieser Garantie und des Rechts der betreffenden Bestimmung.
- E** Aufgrund dieser Garantie haben Sie bestimmte gesetzliche Rechte, darüber hinaus stehen Ihnen gegebenenfalls von Land zu Land unterschiedliche sonstige gesetzliche Rechte zu. Werden die Produkte im UK unter Verbraucherverbindungen verkauft, sind die gesetzmässigen Rechte des Käufers nicht betroffen. Lewmar Limited behält sich das Recht vor, das Design, die Konstruktion und die Spezifikationen von Produkten ohne vorherige Ankündigung zu ändern.

GARANTIE LIMITED & CONDITIONS GÉNÉRALES DE VENTE

LEWMAR garantit ses produits, dans des conditions normales d'utilisation, contre toutes pièces défectueuses ou défauts de fabrication pendant trois ans à partir de la date d'achat par l'acheteur d'origine, sous réserve des conditions, restrictions et exceptions listées ci-après. Toute pièce qui s'avère défectueuse à la suite d'une utilisation normale au cours de cette période de trois ans sera réparée ou remplacée par LEWMAR, qui sera seul juge du bien-fondé de sa décision de réparer ou remplacer ladite pièce.

A Conditions et restrictions

- La responsabilité de LEWMAR est limitée à la réparation ou au remplacement des marchandises ou pièces présentant des défauts de matériel ou de fabrication.
- Il incombe à l'acheteur seul de déterminer si le matériel est adapté à l'usage auquel il le destine et LEWMAR ne saurait être tenu responsable.
- LEWMAR ne reconnaît aucune responsabilité pour:
 - a Les pannes, pertes et détériorations consécutives à une utilisation inadéquate des produits.
 - b Les pannes, pertes et détériorations causées par la corrosion, la dégradation par ultraviolets, l'usure normale ou une installation inadéquate.
 - c Les pannes, pertes et détériorations dues à un entretien inadéquat.
 - d Les pannes, pertes et détériorations causées par le fait que ne sont pas prévus par les spécifications du produit.
- Tout produit faisant l'objet d'une réclamation sous garantie devra être renvoyé à LEWMAR pour être examiné, sauf réclamation contraire par écrit de LEWMAR.
- LEWMAR n'est pas responsable des frais d'expédition ou de main d'œuvre associés à toute réclamation sous garantie.
- Tout entretien effectué par quiconque autre que les représentants agréés LEWMAR annulera cette garantie, sauf s'il est effectué en accord avec les directives et normes de fabrication de LEWMAR.
- Les produits LEWMAR sont destinés à un usage normal. Les acheteurs destinant les produits LEWMAR à un usage autre que celui-ci doivent prendre conseil auprès de LEWMAR, qui décline toute responsabilité vis-à-vis d'un type d'usage qui n'aurait pas été approuvé par LEWMAR.

B Exceptions

- La garantie est limitée à une période d'un an à compter de la date d'achat pour les produits suivants:
- Propulseur d'étrave
 - Moteurs électriques et équipement électrique

- Commandes électroniques
- Pompes hydrauliques, valves et dispositifs de commande
- Joints, étraves
- Produits utilisés dans les épreuves de type "Grand Prix"

C Responsabilité

- La responsabilité de LEWMAR dans le cadre de la présente garantie exclut toutes autres garanties ou responsabilités, sous réserve du respect des dispositions légales en vigueur et il est entendu que:
 - a LEWMAR décline toute responsabilité pour:
 - tout dommage indirect et tout préjudice financier consécutif incluant notamment, sans que la liste soit exhaustive, les pertes de revenus anticipés, l'attente à la réparation ou à la clientèle, la perte de profits, les dommages et intérêts, le coût et les dépenses qui doivent être payés à une tierce personne ou toute autre perte indirecte;
 - tout dommage causé aux yachts ou aux équipements;
 - les dommages causés aux biens (sauf en cas de faute établie de LEWMAR).
 - b Il n'existe aucune garantie de vendabilité ni d'aptitude au but ou à l'usage ni de qualité satisfaisante de la marchandise.
 - c Certains pays interdisent toute exclusion de garantie. Dans ce cas, la garantie, si la loi l'autorise, sera limitée à une période d'un an.
- D Séparation de clause**

Si l'une des clauses de cette garantie était invalidée ou jugée inapplicable par une autorité compétente, en tout ou partie, la validité des autres clauses de cette garantie, ou la partie non concernée de la clause en question, ne serait pas affectée.
- Cette garantie vous donne des droits particuliers, mais vous pouvez également bénéficier d'autres droits qui varient selon les pays. Lorsque les produits sont vendus au Royaume-Uni dans le cadre d'une opération de vente au public, les droits fondamentaux de l'acheteur restent sans changement. Lewmar Limited se réserve le droit de modifier la conception et les spécifications de ses produits sans avertissement préalable.

GARANTIA

Lewmar garantiza sus productos en uso normal como exentos de defectos en materiales y mano de obra por un periodo de tres años a partir de la fecha de la compra por el comprador original, con sujeción a las condiciones, limitaciones y excepciones indicadas a continuación. Cualquier pieza que se demuestre que es defectuosa en su uso normal durante el dicho periodo de tres años será reparada o a elección de Lewmar, sustituida por Lewmar.

A CONDICIONES Y LIMITACIONES

- La responsabilidad de Lewmar se limitará a la reparación o sustitución de las mercancías o piezas defectuosas en sus materiales o fabricación.
- La determinación de la adecuación del material para el uso que le pretende dar el comprador es responsabilidad única del comprador y Lewmar no tendrá responsabilidad alguna respecto a tal adecuación.
- Lewmar no tendrá responsabilidad alguna por:
 - a Averías, pérdidas o daños debidos al uso de productos en aplicaciones para las que no fueron diseñados.
 - b Averías, pérdidas o daños debidos a la corrosión, degradación por rayos ultravioleta, desgaste normal o instalación inadecuada.
 - c Averías, pérdidas o daños debidos a mantenimiento incorrecto.
 - d Averías, pérdidas o daños debidos a uso en condiciones que exceden las especificaciones de utilización del producto.
- El producto sujeto a reclamación de garantía ha de enviarse a Lewmar para su examen a no ser que se acuerde de otra manera por escrito por Lewmar.
- Lewmar no será responsable de los gastos de transporte ni del trabajo de instalación correspondiente a cualquier reclamación de garantía.
- El mantenimiento llevado a cabo por cualquiera que no sea un representante autorizado de Lewmar causará que la presente garantía quede anulada a no ser que sea hecho de acuerdo con las directrices y normas de mano de obra de Lewmar.
- Los productos Lewmar están destinados solamente para su uso en aplicaciones marítimas. Los compradores que pretendan utilizarlos en cualquier otra aplicación deben consultarlo a Lewmar, y Lewmar no tendrá ninguna responsabilidad surgida en una utilización no aprobada por Lewmar.

B EXCEPCIONES

- La garantía se limita a un periodo de un año a partir de la fecha de la compra en los casos siguientes:
- Propulsores de proa
 - Motores eléctricos y equipo eléctrico

- Controles electrónicos
- Bombas, válvulas y actuadores hidráulicos
- Juntas de estanqueidad
- Productos usados en aplicaciones de competición tipo "Grand Prix"

C RESPONSABILIDAD

- La responsabilidad de Lewmar bajo esta garantía excluye la aplicación de cualquier otra garantía o responsabilidad, salvo en la medida permitida por la ley. Particularmente (pero no exclusivamente):
 - a Lewmar no será responsable de:
 - Cualquier daño indirecto o consecuencia incluyendo (sin limitación) cualquier pérdida de beneficios previstos, pérdida de reputación o crédito, pérdida de futuros negocios esperados, daños, costes o gastos pagados a terceras partes o cualquier otra pérdida.
 - Cualquier daño a yates o a equipo.
 - Muerte o lesiones a personas (excepto si son debidas a negligencia por parte de Lewmar).
 - b Lewmar no otorga garantías en lo referente a la adecuación al propósito, uso, naturaleza, comerciabilidad o calidad satisfactoria de los productos.
 - c Cuando las leyes de un país no permitan la exclusión de una garantía, dicha garantía estará limitada a un año, si la ley de tal país lo permite.
- D CLÁUSULA DE SEPARACIÓN**

Si alguna cláusula de esta garantía es dada como inválida o no aplicable en todo o en parte por alguna autoridad competente, la validez de la demás cláusulas y del resto de la cláusula en cuestión no se verá afectada.
- Esta garantía le da a usted derechos legales específicos, y puede tener además otros derechos legales que varían de un país a otro. Cuando los productos son vendidos en el Reino Unido (UK) en una transacción de consumo los derechos del estado del comprador no quedan afectados. Lewmar Limited se reserva el derecho al diseño y las especificaciones sin aviso previo. *Esta garantía cubre todos los productos presentados en los catálogos de Lewmar a partir de 1992 comprados después del 1 de Julio de 1992.

LEWMARS BEGRÄNSADE GARANTI

Lewmar garanterar att företags produkter i normalt bruk är fria från defekter med avseende på material och utförande under en period av tre år från och med datum för inköp av den ursprungliga köparen med förbehåll för de villkor, begränsningar och undantag enligt nedanstående förteckning. Någon del som visar sig vara defekt i normalt bruk under denna tidsperiod kommer att repareras eller bytas ut av Lewmar.

A VILKOR OCH BEGRÄNSNINGAR.

- Lewmar's ansvarskänslighet skall begränsas till reparation eller utbyte av de artiklar eller de delar som är bristfälliga med avseende på material eller utförande.
- Att fastställa materialets lämplighet för den av köparen avsedda användningen är uteslutande köparens ansvar och Lewmar skall inte ha någon ansvarskänslighet med avseende till sådan lämplighet.
- Lewmar skall inte på något sätt vara ansvarig för:
 - a Bristfälligheter, forluster eller skada till följd av produkternas användning inom omdöden, som de inte är avsedda för.
 - b Bristfälligheter, forluster eller skada till följd av korrosion, ultraviolett nedbrytning, försurning eller felaktig installation.
 - c Bristfälligheter, forluster eller skada till följd av felaktigt underhåll.
 - d Bristfälligheter, forluster eller skada till följd av förländans som överskrider produktens prestandespecifikation.
- Produkt som är föremål för ett warranty skall returneras till Lewmar för undersökning såvida ej annat förklaringssski skriftligt har medgivits av Lewmar.
- Lewmar skall inte vara ansvarig för speditionsavgifter eller arbetskostnader för installation i samband med något annat enligt denna garanti.
- Underhållsarbete av någon annan person eller firma än av Lewmars auktoriserade representanter gör denna garanti ogiltlig om detta arbete inte överenssämms med Lewmars riktlinjer och normer för utförande.
- Lewmars produkter är avsedda för endast marint bruk. Kunden vill ha för avsett att användning produkterna till annat ändamål, måste skada råd från Lewmar och Lewmar kan aldrig belastas för användning som Lewmar inte har godkänt.

B UNDANTAG

- Garanti begränsas till en period av ett år från inköpsdatum, för följande produkter:
- Bopropeller
 - Elmotorer och elektrisk utrustning

- Elektroniska styrordningar
- Hydrauliska pumpar, ventiler och ställöden
- Produkter som används i "Grand Prix-tävlingar"

C ANSVAR

- Lewmar skall inte ansvara för:
 - a Någon indirekt forlust inklusive (utan begränsning) förväntade vinster, förvärdat rykte, eller goodwill, forlust av framtida affärer, skador kostnader eller utgifter till tredje part eller någon annan indirekt kostnad
 - b Mörte eller lesioner a personer (excepto si son debidas a negligencia por parte de Lewmar).
 - c Dödsfall eller personlig skada (forutsatt att ej samskams av Lewmars försurmhet).
- Det finns inga garantier i syfte på säljbarhet av något slag, uttryckligen eller antyd, och inga garantier skall göras gällande enligt lag. Varaktigheten av sådana garantier som inte desto mindre görs gällande enligt lag till förmån för konsumenten skall begränsas till en period av ett år från och med nyinköp av användaren. I vissa länder meddelas inte begränsningar på hur länge en anlydd garanti varar, varför oavsettad kanske inte gäller för Er.
- D DELNINGAR KLÄUSULA DE SEPARACIÓN**

Lewmar skall inte vara ansvarig för följdsaker på exempelbar, utrustning eller annan egendom eller personer till följd av någon bristfällighet hos Lewmars utrustning. I vissa länder meddelas inte uteslutning eller begränsning av eventuella skador eller följdsaker, varför oavsettadad uteslutning kanske inte gäller för Er.
- Denna garanti ger Er bestämda laga rättigheter och Ni kan även ha andra laga rättigheter som kan avvika från land till land.
- Lewmar-Marine Ltd. förbehåller sig rätten att ändra konstruktion och specification utan förvarning.

TERMS AND CONDITIONS OF SALE

All sales are subject to Lewmar's General Terms and Conditions of Sale, which can be obtained from Lewmar Limited Head Office in Havant. The foregoing warranty and the following General Conditions of Sale form part only of, but also supplement, Lewmar's General Terms and Conditions of Sale. In the event of any conflict between the foregoing warranty and the following General Conditions of Sale on the one hand and Lewmar's full General Terms and Conditions of Sale on the other, Lewmar's full General Terms and Conditions of Sale shall prevail.

Prices

All prices are subject to change without prior notice due to the fluctuating costs of materials and wages. Prices are ex-warehouse and are those ruling at the date of despatch and exclude VAT, which will be charged as appropriate.

Quotations

All prices are open for acceptance for a period of 30 days from the date of quotation. Quotations can only be regarded as firm when they are put in writing. (Verbal estimates are made purely for indicative purposes.)

Return of goods

All returned goods will be accepted for a period of 14 days from the date of return. All returned goods accepted and subsequently returned to our stock will be subject to a 15% restocking charge. Items returned in a damaged condition will not be credited at full value. Custom fabricated items or parts will not be accepted for return.

Catalogues

Sales literature and product manuals are available from Lewmar on request. These items can also be ordered from our Web site. Availability of goods can be obtained from your local boat builder or chandler. We will be pleased to inform you of your nearest supplier.

ALLGEMEINE VERKAUFSBEDINGUNGEN

Alle Verkäufe unterliegen den Allgemeinen Verkaufsbedingungen von Lewmar in ihrer vollständigen Fassung, die auf Anfrage bei der Hauptniederlassung von Lewmar Marine in Havant, Großbritannien, erhältlich ist. Die obige Garantie und die folgenden allgemeinen Verkaufsbedingungen sind Bestandteil und Ergänzung dieser vollständigen Allgemeinen Verkaufsbedingungen von Lewmar. Im Falle von Widersprüchen zwischen der obigen Garantie und den folgenden allgemeinen Verkaufsbedingungen einerseits und den vollständigen Allgemeinen Verkaufsbedingungen andererseits sind die vollständigen Allgemeinen Verkaufsbedingungen maßgeblich.

PREISE

Alle Preise unterliegen eventuellen Änderungen ohne vorherige Ankündigung aufgrund von fluktuierenden Material- und Lohnkosten. Alle Preise sind ohne Mehrwertsteuer (die in Rechnung gestellt wird, wenn anwendbar) und sind die Preise, wie sie am Versanddatum gelten.

ANGEBOTE

Alle Preise sind für den Zeitraum von 30 Tagen ab dem Angebotdatum gültig. Angebote gelten nur als verbindlich, wenn sie schriftlich unterbreitet wurden. (Mündliche Aussagen dienen nur zu Indikatoren.)

RÜCKSENDUNG VON GÜTERN

Alle Frachtkosten für Rücksendungen müssen vom Rücksender im Voraus bezahlt werden. Alle zurückgegebenen Waren, die angenommen und später wieder an unser Lager zurückgeschickt wurden, unterliegen einer Wiederanlagerungsgebühr in Höhe von 15% des Warenwertes. Artikel, die in beschädigtem Zustand zurückgeschickt wurden, werden nicht zum vollen Wert gutgeschrieben. Sonderanfertigungen sind von der Rücknahme ausdrücklich ausgeschlossen.

KATALOGE

Prospekte und Prospektmaterial sind auf Anfrage bei Lewmar erhältlich. Diese Artikel können auch auf unserer Internetseite angefordert werden.

BEZUGSMÖGLICHKEITEN

Unsere Produkte können Sie bei Ihrer örtlichen Werft oder dem ortsansässigen Lewmar-Händler beziehen. Wir teilen Ihnen gerne die Anschrift des Lieferanten in Ihrer Nähe mit.

CONDITIONS GENERALES DE VENTE

Toutes ventes est soumise aux Conditions Générales de Vente de LEWMAR qui peuvent être obtenues sur demande adressée à Lewmar Limited Head Office, Havant.

Les précédentes clauses de garantie ainsi que les conditions générales de ventes qui suivent y compris les suppléments font partie intégrante des Conditions Générales de Vente de LEWMAR et viennent les compléter. En cas de conflit entre l'une ou l'autre des précédentes clauses de garantie et les conditions générales de vente qui suivent et d'une part l'intégralité des Conditions Générales de Vente de LEWMAR, il est entendu que ce sont ces dernières qui prévaudront.

Prix

Tous les prix sont modifiés sans avis préalable en fonction des variations des prix des matières et du coût de la main d'œuvre. Les prix sont ex-entrepôt et correspondent au prix en cours à la date d'envoi, le prix ne comprend pas la TVA qui sera appliquée au tax en vigueur.

Devis

Tout devis reste soumis à réserve d'acceptation pendant une période de 30 jours suivant la date portée sur le devis. Les devis ne sont considérés comme définitifs que lorsqu'ils sont donnés par écrit (les devis verbaux sont donc purement indicatifs).

Remoi de marchandises

LES MARCHANDISES RETOURNÉES NE SERONT PAS ACCEPTÉES ET AUCUN REMBOURSEMENT NE SERA ACCORDÉ SAUF AUTOMATIQUEMENT ÉCRIT DE LEWMAR. Une autorisation sera délivrée à l'acceptation du retour. Tous les frais de retour des marchandises doivent être réglés d'avance.

Catalogues

Tous les prospectus acceptés et renvoyés ultérieurement à nos magasins seront soumises à 15% de frais de remise en stock. Les articles retournés en mauvais état ne seront pas remboursés dans leur totalité. Les articles ou pièces fabriqués sur mesure ne peuvent pas être retournés.

Disponibilité

Les marchandises sont en vente chez votre chantier ou shipchandler local. Nous serons heureux de vous indiquer l'adresse du fournisseur le plus proche de votre domicile.

CONDICIONES GENERALES DE VENTA

Todas las ventas están sujetas a las condiciones generales de venta de Lewmar, disponibles en la oficina principal de Lewmar Marine Ltd en Havant (UK). La garantía precedente y las siguientes condiciones generales de venta son sólo una parte de las condiciones generales de venta de Lewmar.

Precios

Todos los precios quedan sujetos a cambio sin previo aviso debido a la fluctuación de los costes de los materiales y salarios. Los precios se entienden por los materiales en nuestro almacén y serán los vigentes en la fecha del despacho y no incluyen el IVA que se cargará según sea apropiado.

Presupuestos

Todos los presupuestos quedan sujetos a cambio sin previo aviso de transcurridos 30 días a partir de la fecha del mismo. Los presupuestos únicamente pueden considerarse en firme si se presentan por escrito (las estimaciones verbales son únicamente orientativas).

Devolución de mercancías

Las mercancías devueltas NO SERÁN ACEPTADAS NI ANODADAS A NO SER QUE LA DEVOLUCIÓN ESTÉ AUTORIZADA POR ESCRITO DE LEWMAR. Si se aprueba una devolución se emitirá una autorización. Todos los gastos de transporte de las mercancías devueltas tienen que ser a portes pagados.

Catálogos

Todos los prospectos aceptados y devueltos posteriormente a nuestros stocks serán devueltos a nuestros stocks quedando sujetos a un cargo del 15% por gastos reintegración en stock. Los artículos que se devuelven deteriorados no serán abonados por la totalidad de su valor. Los artículos o piezas fabricados por encargo o según especificaciones del cliente no serán aceptados para devolución.

Disponibilidad

Nuestros productos se pueden obtener a través de dealers y revendedores locales. Tendremos mucho gusto en informarle de su proveedor Lewmar más cercano.

ALLMÄNNA FÖRSÄLJNINGSVILKOR

Våra detaljerade försäljningsvillkor kan ansökas från vårt registrerade kontor i Havant, England. Vid en pågående reklamkampanj eller pågående försäljning villkoren från respektive part. Om eventuellt konflikt mellan dessa parter skulle uppstå, gäller Lewmars generella försäljningsvillkor.

Priser

Alla priser underkastas förändringar utan förvarning till följd av fluktuerande kostnader av material och arbetslöshet. Priserna är fria från lager och är de som gäller vid tiden för avskrivning och exklusive moms som kommer att debiteras enligt gällande förordningar.

Offertor

Alla offertor avses med förbehåll för godtagande under en period på 30 dagar från och med offertdatum. Offertor kan endast betraktas som fasta offertor när de avlämnas skriftligen (muntliga beräkningar avses endast i angivande syfte).

Returning av varor

RETURNERADE VAROR KOMMER INTE ATT ACCEPTERAS ELLER KREDITERAS SÅVIDA INTE RETURNERINGEN BEVÄRAS AV LEWMAR. Alla transporteringskostnader för returvaror måste vara förutbetalda. Alla returvaror som accepteras och som därefter returneras till vårt lager blir föremål för en återtagningsavgift av 15% av varans pris. Artiklar som returneras i skadat skick kommer inte att krediteras till fullt värde. Specialtillverkade artiklar eller delar kommer inte att accepteras för returering.

Produktdokumenter

Produktdokumenter kan ansökas från Lewmar på begäran. Dessa kan dessutom beställas över vår Hemsida på Internet.

Tillgänglighet

Varor kan ansökas från Er lokala båtbyggare eller återförsäljare av båtutrustning.

LEWMAR®