

# Cruising ESP Blocks

Cruising ESP blocks complement our existing blocks in looks and function, but are simpler in design and construction. Sheaves feature sleeve bearings to handle high static loads and are ideal for halyards or limited purchase systems on cruising boats. Available in aluminum or hand-polished stainless steel.

## Teardrop Blocks

Use teardrop blocks for direct attachment to padeyes, mast collar posts, perforated mast collars, or in mastbase situations where leads might change.

## Footblocks

Use footblocks to redirect lines on the deck. Footblocks with lockoffs temporarily secure sheets and are designed for port or starboard installation by flipping them over.

## Swivels and Fiddle Blocks

Use Cruising ESP swivel and fiddle blocks in winch-driven purchases of 4:1 or less. Perfect for vang or mainsheet systems on cruising boats from 10 m to 14 m (35' to 45').



6105



6059  
6058  
6100



6094  
6084



6085



6086



6099



## TECH TIP

To convert 57 and 75 mm blocks to stand-up blocks, remove the shackle and insert the headpost of the block into the 1634 stand-up base.



Replace your shackle with a 1584 snap shackle and move the 57 and 75 mm blocks around the boat. For example, use on spinnaker guys and sheets, or as a preventer.



Ball bearings handle low loads and sideloads from unfair leads.

Part No.	Description	Sheave Ø		Length		Weight		Shackle pin Ø		Max line Ø		Maximum working load		Breaking load	
		in	mm	in	mm	oz	g	in	mm	in	mm	lb	kg	lb	kg
<b>57 mm</b>															
6059	Single/swivel	2 <sup>1</sup> / <sub>4</sub>	57	5 <sup>1</sup> / <sub>2</sub>	140	7.7	218	5 <sup>1</sup> / <sub>16</sub>	8	5 <sup>1</sup> / <sub>8</sub>	16	2205	1000	4409	2000
6094	Single/swivel/becket	2 <sup>1</sup> / <sub>4</sub>	57	6 <sup>11</sup> / <sub>16</sub>	170	9	255	9 <sup>1</sup> / <sub>16</sub>	8	5 <sup>1</sup> / <sub>8</sub>	16	2205	1000	4409	2000
6105	Forkhead	2 <sup>1</sup> / <sub>4</sub>	57	4 <sup>1</sup> / <sub>2</sub>	114	4.5	129	1 <sup>1</sup> / <sub>4</sub>	6	3 <sup>1</sup> / <sub>8</sub>	10	1650	748	3300	1496
<b>75 mm</b>															
6058	Single/swivel	3	75	6 <sup>1</sup> / <sub>4</sub>	159	12	340	9 <sup>1</sup> / <sub>16</sub>	8	3 <sup>1</sup> / <sub>4</sub>	19	3500	1587	7000	3175
6084	Single/swivel/becket	3	75	7 <sup>1</sup> / <sub>4</sub>	184	13	369	9 <sup>1</sup> / <sub>16</sub>	8	3 <sup>1</sup> / <sub>4</sub>	19	3500	1587	7000	3175
6085	Fiddle	3 <sup>1</sup> / <sub>16</sub>	75/46	8 <sup>3</sup> / <sub>8</sub>	213	14.7	415	9 <sup>1</sup> / <sub>16</sub>	8	3 <sup>1</sup> / <sub>4</sub>	19	3500	1587	7000	3175
6086	Fiddle/becket	3 <sup>1</sup> / <sub>16</sub>	75/46	9 <sup>1</sup> / <sub>2</sub>	241	15.6	444	9 <sup>1</sup> / <sub>16</sub>	8	3 <sup>1</sup> / <sub>4</sub>	19	3500	1587	7000	3175
6099	Fiddle/becket/280 Cam-Matic	3 <sup>1</sup> / <sub>16</sub>	75/46	9 <sup>1</sup> / <sub>2</sub>	241	25.2	715	9 <sup>1</sup> / <sub>16</sub>	8	3 <sup>1</sup> / <sub>4</sub>	19	2000	907	4000	1814
<b>100 mm</b>															
6100	Single/swivel	4	100	8 <sup>1</sup> / <sub>8</sub>	206	28.5	808	3 <sup>1</sup> / <sub>8</sub>	10	3 <sup>1</sup> / <sub>4</sub>	19	4870	2209	9740	4418

# Cruising ESP Blocks



6106



6107



6091  
6092  
6093



6077  
6078



6050  
6056  
6095



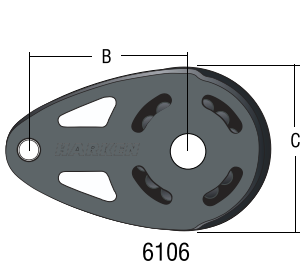
6065  
6057



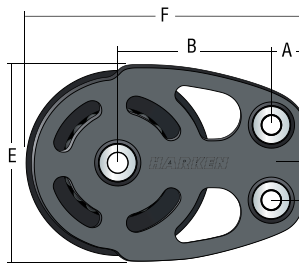
6096  
6097  
6098



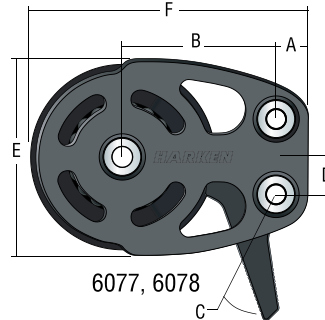
Lockoff blocks feature aluminum sheaves.



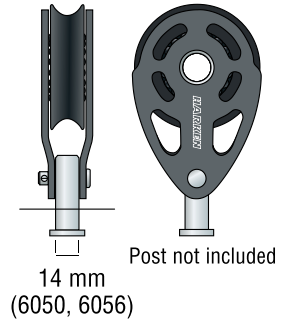
6106



6091, 6092, 6093



6077, 6078



14 mm  
(6050, 6056)

## Dimensions

Part No.	A		B		C		D		E		F	
	in	mm	in	mm	in	mm	in	mm	in	mm	in	mm
6077	1/2	13	2 <sup>9</sup> / <sub>32</sub>	55	2	51	9 <sup>1</sup> / <sub>16</sub>	14	2 <sup>1</sup> / <sub>4</sub>	57	3 <sup>3</sup> / <sub>4</sub>	96
6078	1/2	13	2 <sup>13</sup> / <sub>32</sub>	61	2	51	9 <sup>1</sup> / <sub>16</sub>	14	2 <sup>1</sup> / <sub>8</sub>	74	4 <sup>3</sup> / <sub>8</sub>	111
6091	1/2	13	2 <sup>9</sup> / <sub>32</sub>	55	—	—	9 <sup>1</sup> / <sub>16</sub>	14	2 <sup>1</sup> / <sub>4</sub>	57	3 <sup>3</sup> / <sub>4</sub>	96
6092	1/2	13	2 <sup>13</sup> / <sub>32</sub>	61	—	—	1 <sup>1</sup> / <sub>32</sub>	15	2 <sup>11</sup> / <sub>32</sub>	75	4 <sup>3</sup> / <sub>8</sub>	111
6093	1 <sup>1</sup> / <sub>16</sub>	17	3 <sup>1</sup> / <sub>32</sub>	77	—	—	1 <sup>1</sup> / <sub>16</sub>	18	4 <sup>1</sup> / <sub>8</sub>	105	5 <sup>11</sup> / <sub>16</sub>	145
6106	—	—	1 <sup>9</sup> / <sub>16</sub>	39	1 <sup>9</sup> / <sub>16</sub>	40	—	—	—	—	—	—

Part No.	Description	Sheave Ø		Length		Weight		Clevis pin Ø		Max line Ø		Maximum working load		Breaking load		Max lockoff load		Fasteners (FH)	
		in	mm	in	mm	oz	g	in	mm	in	mm	lb	kg	lb	kg	lb	kg	in	mm
<b>40 mm</b>																			
6106	Teardrop footblock‡	1 <sup>9</sup> / <sub>16</sub>	40	2 <sup>9</sup> / <sub>32</sub>	65.5	1.8	50	—	—	1/2	12	1250	567	2500	1134	—	—	5 <sup>1</sup> / <sub>16</sub>	8, 4
6107	Teardrop mast collar	1 <sup>9</sup> / <sub>16</sub>	40	2 <sup>9</sup> / <sub>32</sub>	65.5	2.2	64	1/4	6	1/2	12	1250	567	2500	1134	—	—	—	—
<b>57 mm</b>																			
6050	Teardrop mast collar	2 <sup>1</sup> / <sub>4</sub>	57	3 <sup>11</sup> / <sub>16</sub>	93.5	4.3	122	5/16	8	5/8	16	2100	850	4190	1900	—	—	—	—
6065	Teardrop padeye block	2 <sup>1</sup> / <sub>4</sub>	57	3 <sup>11</sup> / <sub>16</sub>	93.5	4.5	128	5/16	8	5/8	16	2100	850	4190	1900	—	—	—	—
6077	Foot/lockoff*‡	2 <sup>1</sup> / <sub>4</sub>	57	3 <sup>7</sup> / <sub>8</sub>	99	8	226	—	—	5/8	16	2205	1000	4409	2000	1200	550	5/16	8
6091	Footblock‡	2 <sup>1</sup> / <sub>4</sub>	57	3 <sup>7</sup> / <sub>8</sub>	99	5.4	153	—	—	5/8	16	2205	1000	4409	2000	—	—	5/16	8
6095	Teardrop mast collar/low-load	2 <sup>1</sup> / <sub>4</sub>	57	4 <sup>5</sup> / <sub>8</sub>	117	4	113	—	6	5/8	16	1650	750	3300	1500	—	—	—	—
6096	Narrow teardrop mast collar	2 <sup>1</sup> / <sub>4</sub>	57	3 <sup>1</sup> / <sub>2</sub>	89	3.3	94	—	6	3/8	10	1650	748	3300	1497	—	—	—	—
6097	Narrow teardrop mast collar	2 <sup>1</sup> / <sub>4</sub>	57	3 <sup>1</sup> / <sub>2</sub>	89	3.5	99	5/16	8	3/8	10	1650	748	3300	1497	—	—	—	—
<b>75 mm</b>																			
6056	Teardrop mast collar	3	75	4 <sup>3</sup> / <sub>8</sub>	117	7.8	221	5/16	8	3/4	19	3000	1361	6000	2721	—	—	—	—
6057	Teardrop padeye	3	75	4 <sup>11</sup> / <sub>16</sub>	119	8.4	238	3/8	10	3/4	19	3500	1587	7000	3175	—	—	—	—
6078	Foot/lockoff*‡	3	75	4 <sup>3</sup> / <sub>8</sub>	112	12	340	—	—	3/4	19	3500	1587	7000	3175	1200	550	5/16	8
6092	Footblock‡	3	75	4 <sup>3</sup> / <sub>8</sub>	112	10.3	293	—	—	3/4	19	3500	1587	7000	3175	—	—	5/16	8
6098	Narrow teardrop mast collar	3	75	4 <sup>7</sup> / <sub>16</sub>	113	6.4	181	5/16	8	1/2	12	2500	1134	5000	2268	—	—	—	—
<b>100 mm</b>																			
6093	Footblock‡	4	100	5 <sup>11</sup> / <sub>16</sub>	144	22.6	642	—	—	3/4	19	7500	3402	15000	6804	—	—	1/2	12

\*Lockoffs are intended to hold lines temporarily and should not be used in place of line stoppers or clutches.

‡If double stacked, upper block is two-thirds of listed mwl and breaking load.