

Autopilot Drives

Our experience has given us insight into the challenges that occur when interfacing autopilot drives to the steering system and how important this aspect is to the correct operation of the autopilot. Our comprehensive range of autopilot drive units helps overcome typical installation problems.

- All units have an electromechanical clutch, virtually eliminating drag on the steering system
- All units are compatible with the majority of electronic suppliers, such as Raymarine, B&G and Simrad
- All drives have low current draw
- Drives available in 1/4, 1/2 and 1HP capacities, suitable for all Lewmar steering types.



Lewmar recommends the following Drive Units for your boat. If your boat is not listed here, please contact Lewmar for further information

BOAT BUILDER/MODEL	DESCRIPTION	PART NO.
Bavaria		
30, 33, 37, 39 Cruisers	Integra	89300136
42, 44, 46, 49, 50, Cruisers	Mamba™	89300137
Bavaria 45	Direct	89300163
Bavaria 50	Direct	89300169
Bavaria 55	Direct	89300152
Bavaria NC55	Direct	85008160 + 89500956
Bavaria 56	Direct	89300206
Dufour		
Dufour 34	Constellation™	89300109
Dufour 40, 44	Constellation™	89300086
Dufour 385, 455	Constellation™	89300123
Gib Sea 43		
	Mamba™	89300137
Halberg Rassy		
HR 40, 43	Mamba™	89300137
HR 46, 48, 53 - 12v	Mamba™	89300137
HR 46, 48, 53 - 24v	Mamba™	89300054
HR 62	Mamba™	89300060
Hunter		
Hunter 44, 49	Mamba™	89300137
Hunter 45CC	Integra	89300113
Island Packet		
IP 370	Direct	89300040
IP 440	Direct	89300040
IP 445	Mamba™	89300137
IP 485	Mamba™	89300137

BOAT BUILDER/MODEL	DESCRIPTION	PART NO.
Najad		
Najad 400	Mamba™	89300137
Najad 460, 490, 511	Mamba™	89300137
Southerly		
Southerly 110	Direct	89300103 + 89300099
Southerly 32	Integra	89300203
Southerly 35RS	Direct	89300103 + 89300100
Southerly 38, 42, 420	Direct	89300039
Southerly 47	Integra	89300137
Southerly 535, 57	Mamba™	89300060
Vancouver 49		
	Mamba™	89300117
Oyster		
Oyster 62	Mamba™	89300060
Oyster 625	Mamba™	89300166
Oyster 655	Mamba™	89300138
Oyster 72	Mamba™	89300070
Oyster 725	Mamba™	89300129
Oyster 82	Mamba™	89300064
Tartan		
Tartan 3400	Direct	89300039
Tartan 3700	Direct	89300039
Tartan 4100	Direct	89300039
Tartan 4400	Direct	89300039
Discovery Yachts		
Discovery 55	Mamba™	89300054



8. Steering

Integra Drives

The Integra drive is available in three formats. The Cobra™ and Mamba™ versions mount directly inside the Integra pedestal. This unique installation is only available from Lewmar and provides the installer with a simple and quick installation with no complicated, labour intensive mounting platforms required. We also offer an Integra Sprocket version, which is very popular with Bavaria Cruising yachts from 9m to 12m (30ft to 39ft) in length.



PART NO	DESCRIPTION
89300136	Bavaria Integra Drive
89300203	Cobra™ Pedestal Integra Drive

Mamba™ Drives

These unique autopilot drives directly couple to Mamba™ systems, eliminating the need for separate platforms, chain and sprockets.



Spine Coupling Connection	HP	Voltage ¹	MAX OUTPUT TORQUE		Speed RPM	MAX RUDDER TORQUE		Ave Current Consumption	WEIGHT	
			Nm	ft. lb		mkg	ft. lb		kg	lb
3/4 × 48	1/4	12	169	125	10	248	1794	4A	9.0	19.8
3/4 × 48	1/4	24	169	125	10	248	1794	2.5A	9.0	19.8
3/4 × 48	1/4	24	169	125	10	248	1794	2.5A	9.0	19.8
3/4 × 48	1/2	24	183	135	13	426	3080	3.5A	10.5	23.1
3/4 × 48	1/2	24	183	135	13	426	3080	3.5A	10.5	23.1

¹ Voltage refers to clutch

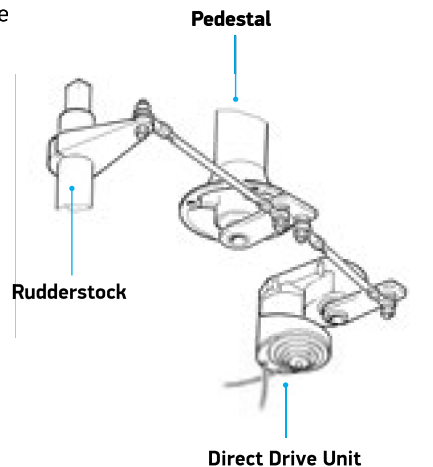
Direct Drives

Uniquely, the Direct Drive can operate onto the pedestal or gearbox output lever as an alternative to the rudder lever. This offers the installer and boat designer more options for layout as the Direct Drive can be mounted in any attitude.

- Available in Constellation™, Cobra™ and Mamba™ steering systems
- Extremely powerful, delivering up to 2432Nm/1794ft. lb of torque
- Virtually zero drag – steering performance is not impaired
- Compact Direct Drive, enabling close mounting to the rudder stock, at any attitude



Direct drive connected to a tiller lever via a draglink



Output Lever Centre	HP	Voltage ¹	NO LOAD SPEED		MAX RUDDER TORQUE		Average Current Consumption	WEIGHT	
			Ho-Ho		mkg	ft-lb		kg	lb
166mm Lever	1/4	12	10s		248	1794	4A	8.8	19.4
166mm Lever	1/4	24	10s		248	1794	4A	8.8	19.4
166mm Lever	1/2	24	12s		345	2496	3.5A	24.8	55.0
166mm Lever	1/2	24	17s		493	3566	3.5A	45.5	100.0

¹ Voltage refers to clutch

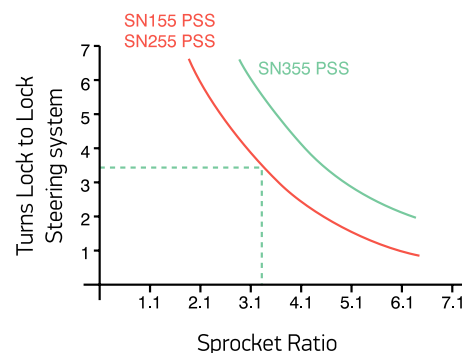
Rotary Sprocket Drives – To suit Constellation™ & Mamba™

Lewmar offer 3 sizes of powerful and compact rotary drive units, which employ conventional chain and sprocket connection to the steering system. The high efficiency, twin stage, epicyclic gearbox is grease filled, which allows mounting in any attitude. The wide mounting platform is slotted to aid chain tensioning. Rotary drives are generally used on cable and push-pull steering systems and it is

necessary to calculate the correct driven sprocket, which is dependent on the turns (mechanical advantage) of the steering system. Lewmar can supply fully machined sprockets for your steering system in steel or stainless steel upon request, as well as chain and master links.



Please refer to the graph to calculate the correct sprocket size. The turns lock to lock is referred to at the position on the steering where the driven sprocket is to be mounted.



Sprocket Size	Type	POWER HP	VOLTAGE ¹	MAX OUTPUT TORQUE		NO LOAD SPEED RPM	MAX RUDDER TORQUE		AVGE CURRENT CONSUMPTION	WEIGHT	
				Nm	ft. lb		mkg	ft. lb		kg	lb
58" P 9T Sprocket	SN255PSS	1/4	12	43	32	44	207	1500	4.0A	8.8	19.4
58" P 9T Sprocket	SN255PSS	1/4	24	43	32	44	207	1500	2.5A	8.8	19.4
58" P 9T Sprocket	SN355PSS	1/2	24	47	35	55	332	2400	3.5A	10.0	22.0
58" P 9T Sprocket	SN455PSS	1	24	466	344	18	1660	12055	6.0A	30.0	66.1

¹ Voltage refers to clutch