

Anchor Accessories

Anchor Rodes

- Designed to complement the rope-chain gypsies fitted to all Lewmar windlasses
- Calibrated for even pitch
- Hot dip galvanised to minimise corrosion
- Hand-sewn whipping guarantees against unravelling
- Welded for high strength
- Smooth rope-to-chain transition
- Helps your windlass operate smoothly



Premium 3 Strand Rodes (USA only)

PART NUMBER	DESCRIPTION
69000331	5 ¼ G4 X 100 ½ with ¾ shackle
69000332	10 ¼ G4 X 150 ½ with ¾ shackle
69000334	15 ¼ G4 X 200 ½ with ¾ shackle
69000335	15 ¼ G4 X 300 ½ with ¾ shackle
69000339	20 ¾ G4 X 200 ¾ with ¾ shackle

Premium 8 Plait Rodes (USA only)

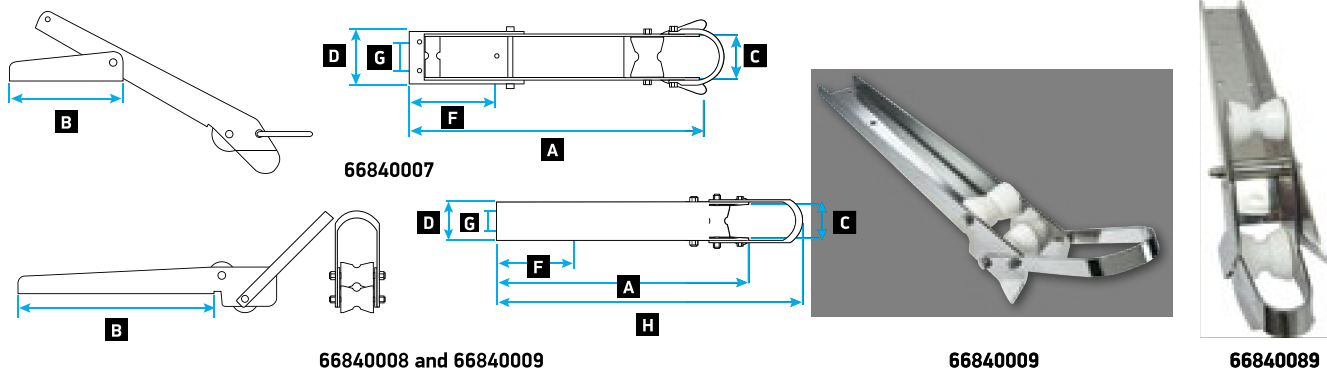
PART NUMBER	DESCRIPTION
HM10HT200PX	10 ¼ G4 – 200 ½ 8PLT with Shackle
HM15HT300PX	15 ¼ G4 – 300 ½ 8PLT with Shackle
HM15H300PX	15 ¾ G4 – 300 ¾ 8PLT with Shackle
HM30B130PX	30 ¾ BBB – 130 ¾ 8PLT with Shackle
HM30B200PX	30 ¾ BBB – 200 ¾ 8PLT with Shackle

Bow Rollers

- Friction-free surface to make dropping and weighing anchor easier
- Will not damage the deck or topsides
- Allows you to safely stow anchor while cruising and deploy at short notice
- Constructed of 304 stainless steel
- Range of rollers to fit the most common combinations of anchor, mounting style and boat



Dimension Diagram



Bow Rollers Specification

PART NUMBER	WEIGHT		ANCHOR TYPE	A		B		C		D		F		G		H	
	kg	lb		mm	in	mm	in	mm	in	mm	in	mm	in	mm	in	mm	in
66840007	3.6	8	Any Fluke style to 35lb/16kg	524	20	103	8	76	3	99	3 ¾	153	6	51	2	-	-
66840008	4	9	14, 22 & 35lb (7, 10 & 16kg) Delta® and DTX anchors	495	19 ½	376	14 13/16	67	2 ¾	80	3 ¾	153	6	38	1 ½	602	23 11/16
66840009	4.5	10	14, 22 & 35lb (7, 10 & 16kg) Delta® and DTX anchors	597	23 ½	478	18 13/16	67	2 ¾	80	3 ¾	153	6	38	1 ½	704	27 11/16
66840060	0.5	1	Small bow roller	-	-	102	4	51	2	-	-	-	-	-	-	159	6 ¼
66840085	5	11	22, 35 & 45lb (10, 16 & 20kg) Delta® and DTX anchors	-	-	400	15 ¾	77	3	80	3 1/7	242	9 ½	46	1 13/16	577	22 11/16
66840089	8.2	18	35, 45 & 55lb (16, 20 & 25kg) Delta® and DTX anchors	-	-	510	20 1/16	87	3 7/16	90	3 9/16	290	11 7/16	47	1 6/7	730	28 ¾