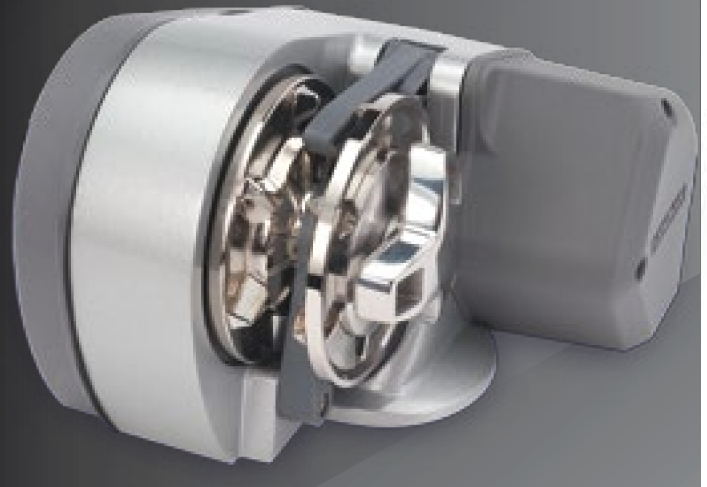




1. Windlasses

ns,
ro-Sport
x, using

smaller, more powerful permanent magnet motors. Its rugged aluminium centre case and durable composite side covers make Pro-Sport the perfect choice. Complete with push-button control, anchoring has never been easier.



Pro-Sport 550 Windlass Kit Specifications

PART NUMBER	CHAIN DESCRIPTION	ROPE DESCRIPTION			MOTOR SUPPLY Voltage	MOTOR POWER Watt	MAXIMUM PULL		MAXIMUM LINE SPEED		WORKING LOAD LIMIT		NORMAL CURRENT DRAW Amp	WEIGHT		CIRCUIT BREAKER
		mm	in				kg	lb	m/min.	ft/min.	kg	lb				
6656811967-303	6mm DIN766, 1/4" ISO G4, 1/4" BBB, 7mm DIN 766	12mm	1/2	3-strand and 8-plait	12	150	250	550	30	98	62.5	137.5	20	6.5	14	25

Kits include: windlass, base gasket seal, fast mounting studs, installation wrench, contactor (68000939), guarded rocker switch (68000593) and circuit breaker

Dimensions Diagram

